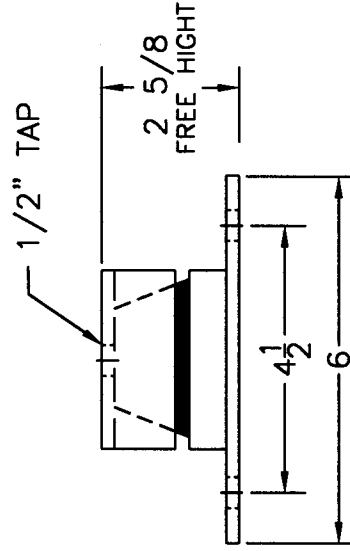
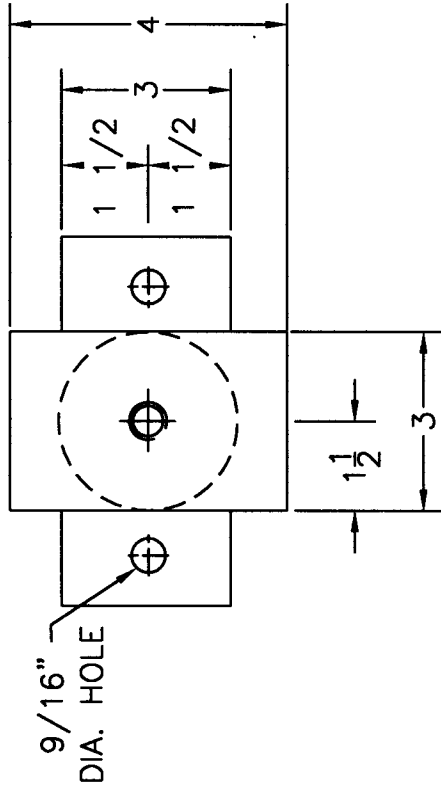


TYPE "140S" NEOPRENE ISOLATOR

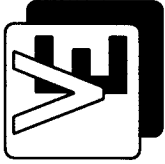


ISOLATOR TYPE	COLOR	RATED LOAD	RATED DEFL.
140S	WHITE	150 #	0.25"
	GREEN	350 #	0.25"
	BLUE	550 #	0.25"
	ORANGE	900 #	0.25"

NOTE: ISOLATORS ARE DESIGNED FOR STATIC LOADS ONLY WITH NO LEVELING DEVICES.

INSTALLATION INSTRUCTION

1. PLACE ISOLATORS UNDER EQUIPMENT AT POINTS OF SUPPORT.
2. BOLT ISOLATORS TO EQUIPMENT.
3. SHIM ISOLATORS TO LEVEL EQUIPMENT.



VIBRATION ELIMINATOR CO. INC.
 15 Dixon Avenue
 Copiague, NY 11726
 TEL. (631)841-4000 FAX (631)841-0020

JOB : _____
 CONTRACTOR : _____
 P.O. NO. : _____

Dwg. No. _____