



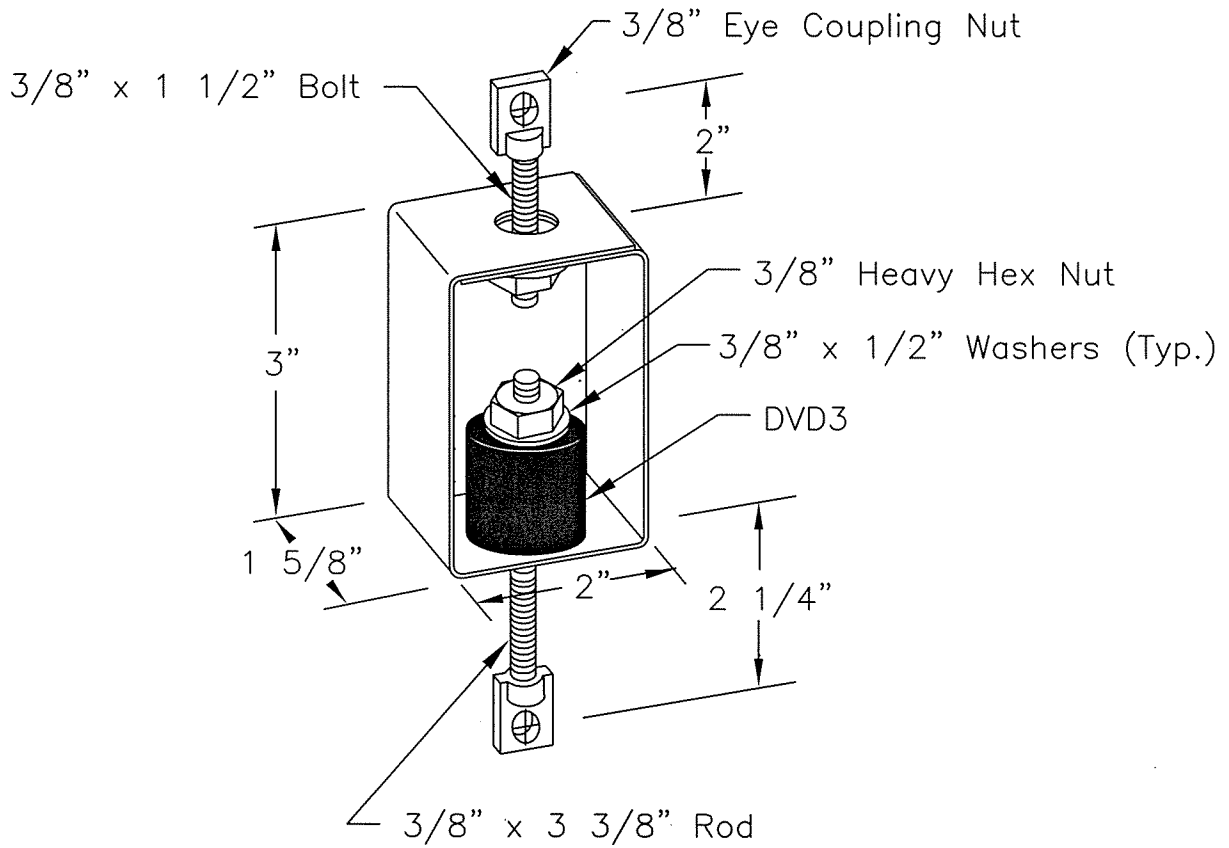
JOB: \_\_\_\_\_

CONTRACTOR: \_\_\_\_\_

P.O. NO. \_\_\_\_\_

## TYPE "1C-E" NEOPRENE HANGER W/ EYE CLIPS

ISOLATOR TYPE	COLOR	RATED LOAD	RATED DEFL.
1C-E	WHITE	100#	0.25"



1C-EYECLIP.DWG

VIBRATION ELIMINATOR CO., INC.

15 Dixon Avenue  
Copiague, NY 11726

TEL. (631) 841-4000 FAX (631) 841-0020

Rev.		
Rev.		
Date:		Dwg. No.: