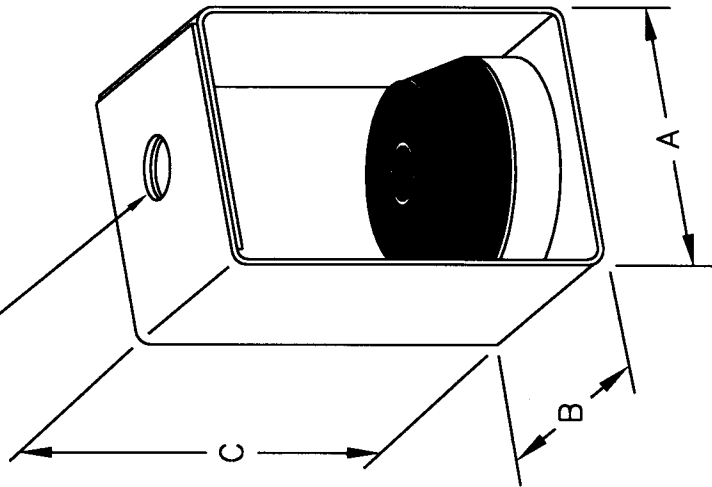
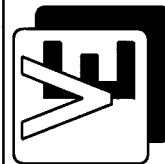


# --- NEOPRENE HANGER ---

"X" MAX. ROD SIZE



ISOLATOR TYPE	COLOR	RATED LOAD	RATED DEFL.	A	B	C	X
1C 1CD	WHITE	100 #	.25"	2	1 5/8	3	1/2
			.37"				
3C { 1 2 3 4 }	WHITE	150 #	.25"	3	2 1/2	5 1/2	5/8
	GREEN	300 #					
	BLUE	460 #					
	ORANGE	700 #					
3CTD { 1 2 3 4 }	WHITE	150 #	.50"	3 1/2	2 1/2	6 1/4	3/4
	GREEN	300 #					
	BLUE	460 #					
	ORANGE	700 #					
5CTD { 1 2 3 4 5 }	SILVER	850 #	.50"	6	4	6	3/4
	YELLOW	1000 #					
	RED	1600 #					
	WHITE	1900 #					
	BLUE	2500 #					



VIBRATION ELIMINATOR CO., INC.

15 Dixon Avenue  
Copiague, NY 11726

TEL. (631) 841-4000 FAX (631) 841-0020

JOB : \_\_\_\_\_  
 CONTRACTOR : \_\_\_\_\_  
 P.O. NO. : \_\_\_\_\_

Dwg. No. \_\_\_\_\_