



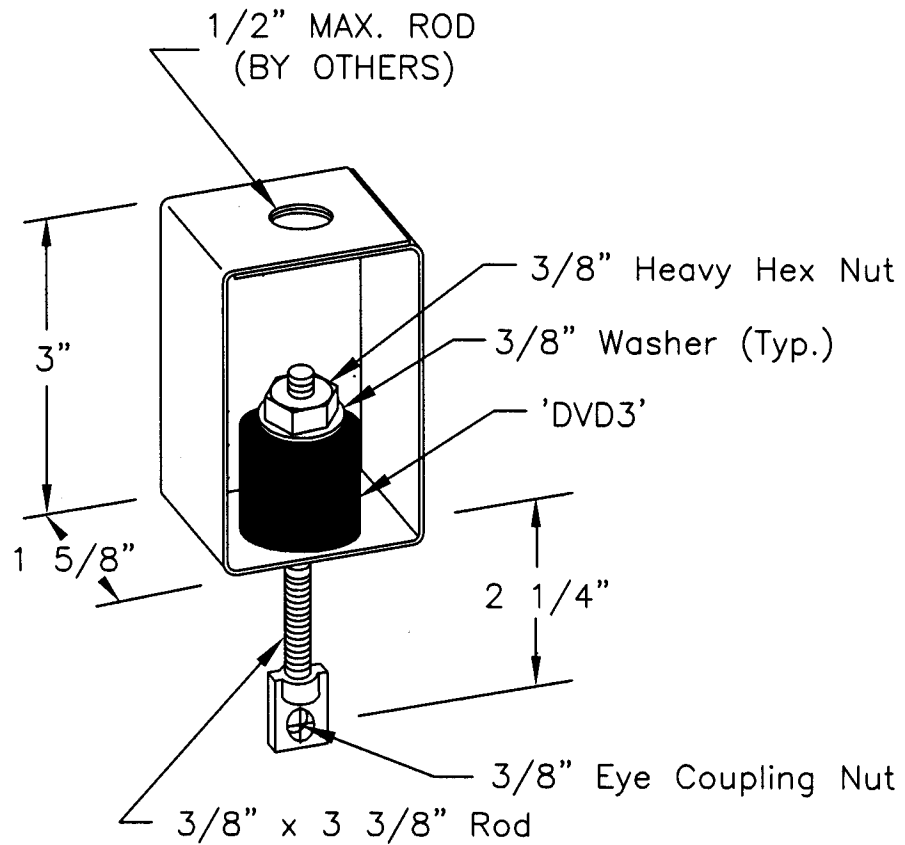
JOB: _____

CONTRACTOR: _____

P.O. NO. _____

TYPE "1CD-E" NEOPRENE HANGER W/ EYE COUPLINGS

ISOLATOR TYPE	COLOR	RATED LOAD	RATED DEFL.
'1CD-E'	WHITE	100#	0.5"



1CD-EYECLIP.DWG (4-8-03)

VIBRATION ELIMINATOR CO., INC.

15 Dixon Avenue
Copiague, NY 11726

TEL. (631) 841-4000 FAX (631) 841-0020

Rev.		
Rev.		
Date:		Dwg. No.: