



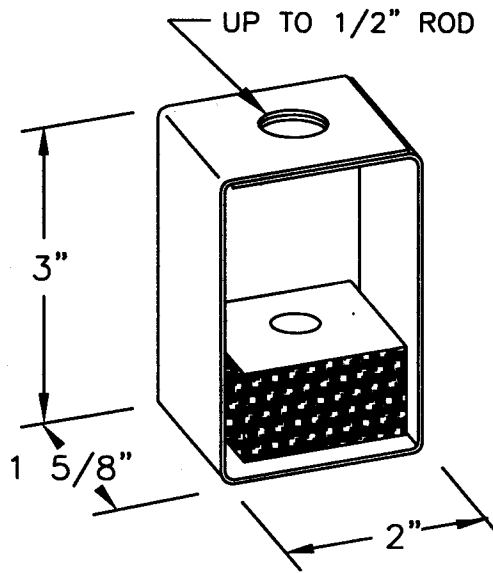
JOB: _____

CONTRACTOR: _____

P.O. NO. _____

FIBERGLASS HANGER

| ISOLATOR TYPE | COLOR | RATED LOAD | RATED DEFL. |
|---------------|-------|------------|-------------|
| 1FG | WHITE | 100# | 0.25" |



VIBRATION ELIMINATOR CO., INC.

15 Dixon Avenue
Copiague, NY 11726

TEL. (631) 841-4000 FAX (631) 841-0020

| | | |
|-------|--|-----------|
| Rev. | | |
| Rev. | | |
| Date: | | Dwg. No.: |