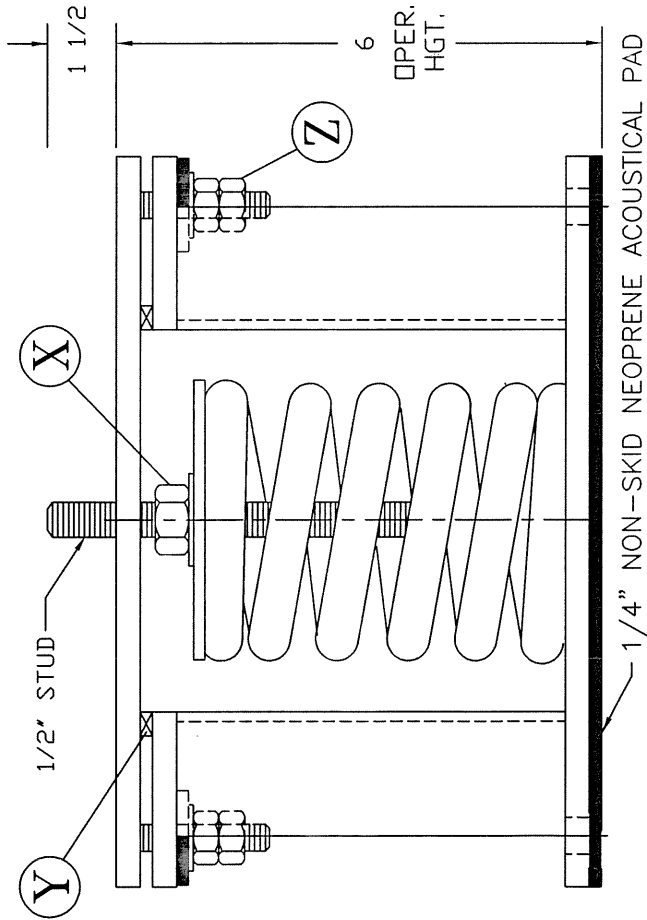
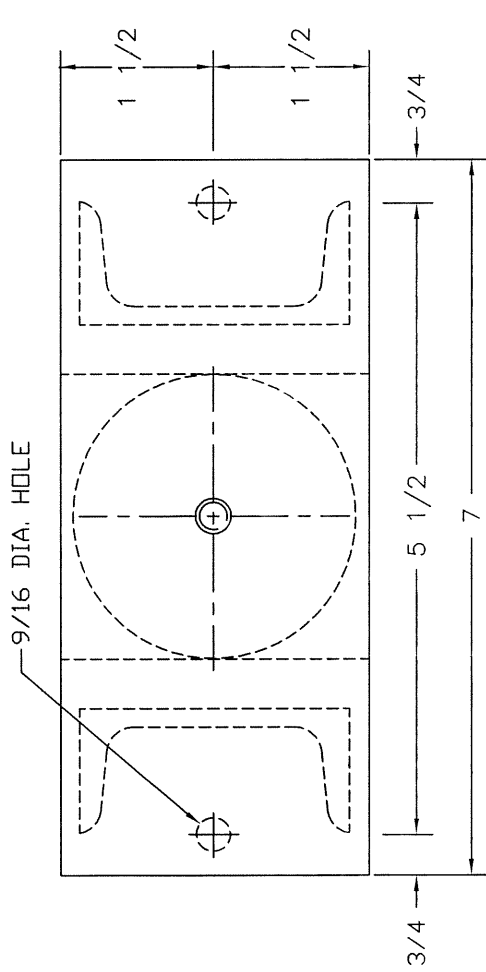


TYPE "1KW1-ST" VERTICALLY RESTRAINED SPRING ISOLATOR



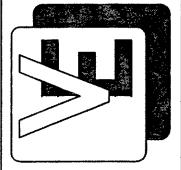
ISOLATOR TYPE	COLOR CODE	RATED LOAD	RATED DEFL.
1KW1 {	3 -ST	295 #	0.80"
	4 -ST	380 #	0.80"
	5 -ST	530 #	0.80"
	6 -ST	750 #	0.75"
	7 -ST	1125 #	0.75"
	8 -ST	1500 #	0.75"

ALL HARDWARE ZINC-ELECTROPLATED

INSTALLATION INSTRUCTIONS:

1. INSTALL ISOLATORS UNDER BRACKET, BASE OR EQUIPMENT LEG. ISOLATORS MUST BE INSTALLED ON A LEVEL SURFACE.
2. INSTALL EQUIPMENT (INCLUDING ALL PIPING & WATER FOR COOLING TOWER).
3. TEMPORARILY REMOVE ALL VERTICAL LOCK NUTS "Z" FROM HOLD-DOWN BOLTS.
4. ADJUST ISOLATORS BY TURNING LEVELING NUT "X" CLOCKWISE SEVERAL TURNS AT A TIME ALTERNATELY ON EACH ISOLATOR UNTIL EQUIPMENT BEGINS TO RAISE. THEN LEVEL AS REQUIRED AND REMOVE TEMPORARY SHIMS "Y".
5. REPLACE ALL VERTICAL LOCK NUTS "Z" ON HOLD-DOWN BOLTS AND FASTEN FINGER TIGHT. EQUIPMENT IS NOW READY TO BE OPERATED.

JOB : _____
 CONTRACTOR : _____
 P.O. NO. : _____



VIBRATION ELIMINATOR CO., INC.
 15 Dixon Avenue
 Copiague, NY 11726
 TEL. (631)841-4000 FAX (631)841-0020

Dwg. No. _____

C2000/1KW1SM.DWG.