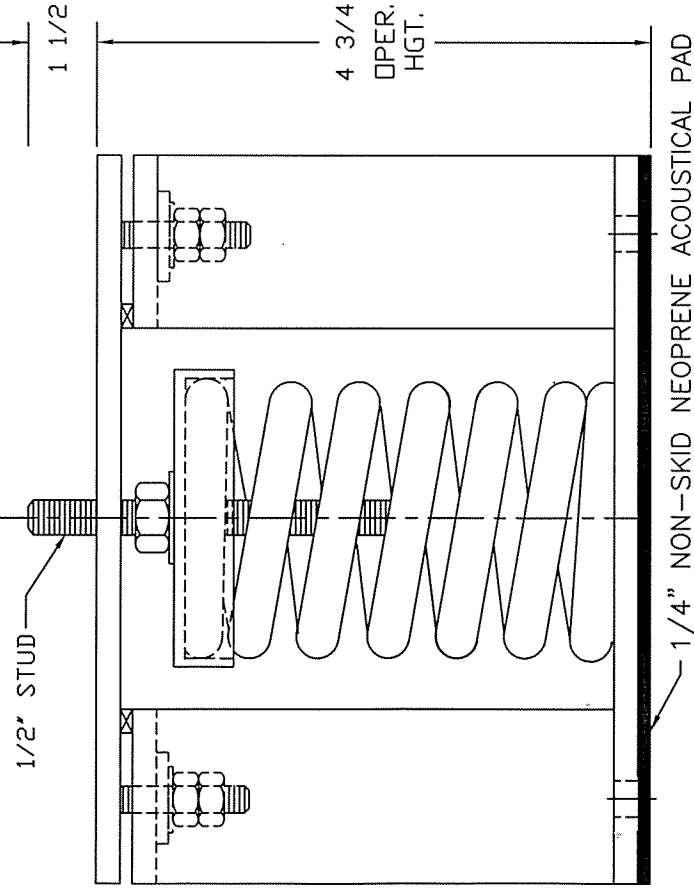
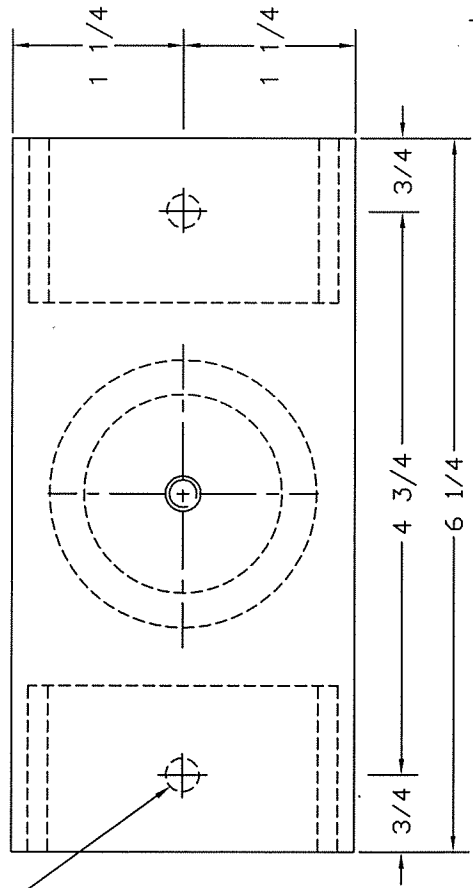


# TYPE "1KW2-ST" VERTICALLY RESTRAINED SPRING ISOLATOR

9/16" DIA. HOLE

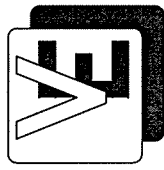


ALL HARDWARE ZINC-ELECTROPLATED

ISOLATOR TYPE	COLOR CODE	RATED LOAD	RATED DEFL.
{ 1KW2 }	Yellow	40#	1.00"
	Silver	70#	1.00"
	Red	100#	1.00"
	White	150#	1.00"
	Green	210#	1.00"
	Blue	300#	1.00"
	Orange	400#	1.00"
Brown	500#	1.00"	

12-2-02

JOB : \_\_\_\_\_  
 CONTRACTOR : \_\_\_\_\_  
 P.O. NO. : \_\_\_\_\_



VIBRATION ELIMINATOR CO., INC.  
 15 Dixon Avenue  
 Copiague, NY 11726  
 TEL. (631)841-4000 FAX (631)841-0020

CE000/1KW2SM.DWG.

Dwg. No.