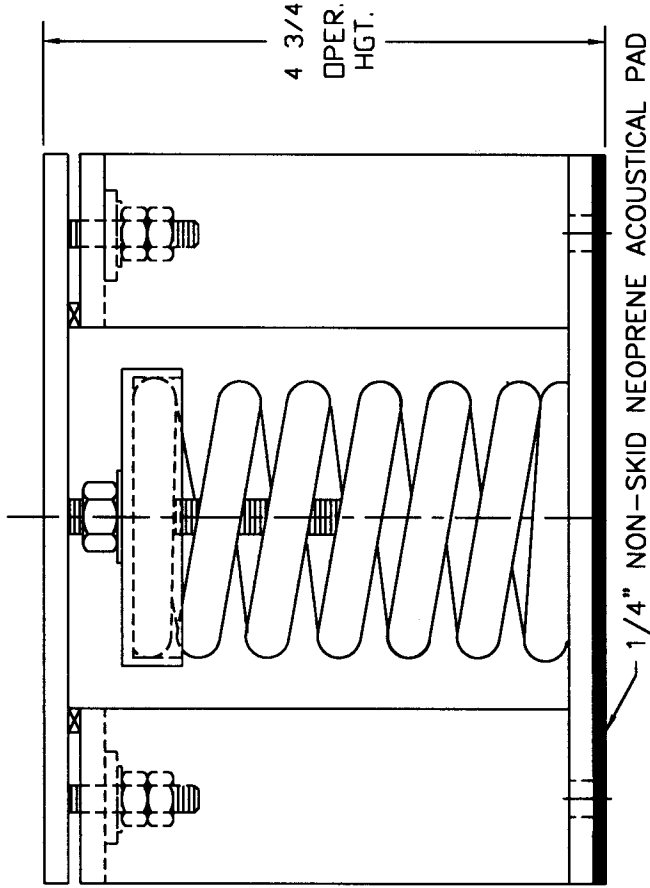
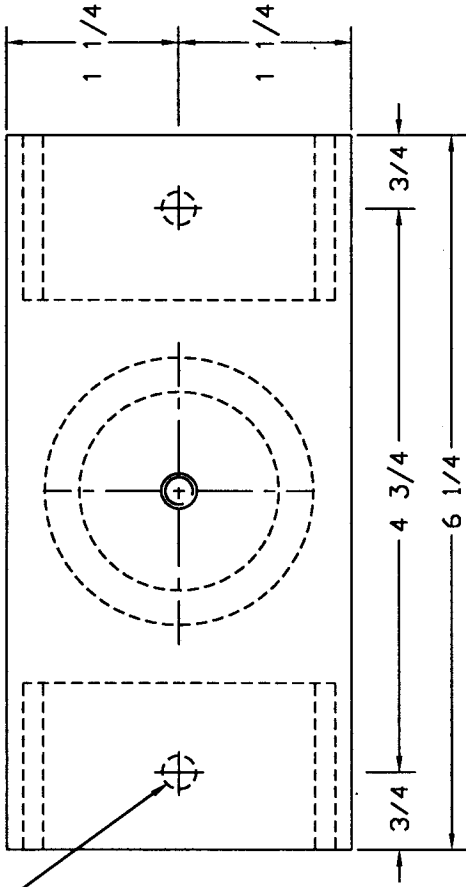


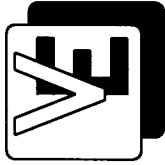
# TYPE "1KW2" VERTICALLY RESTRAINED SPRING ISOLATOR

9/16" DIA. HOLE



ISOLATOR TYPE	COLOR CODE	RATED LOAD	RATED DEFL.
1KW2 { F21 F22 F23 F24 F25 F26 F27	Yellow	40#	1.00"
	Red	100#	1.00"
	White	150#	1.00"
	Green	210#	1.00"
	Blue	300#	1.00"
	Orange	400#	1.00"
	Brown	500#	1.00"

ALL HARDWARE ZINC-ELECTROPLATED



VIBRATION ELIMINATOR CO., INC.  
15 Dixon Avenue  
Copiague, NY 11726  
TEL. (631)841-4000 FAX (631)841-0020

C2000/1KW2SM.DWG.

JOB : \_\_\_\_\_  
CONTRACTOR : \_\_\_\_\_  
P.O. NO. : \_\_\_\_\_

Dwg. No. \_\_\_\_\_