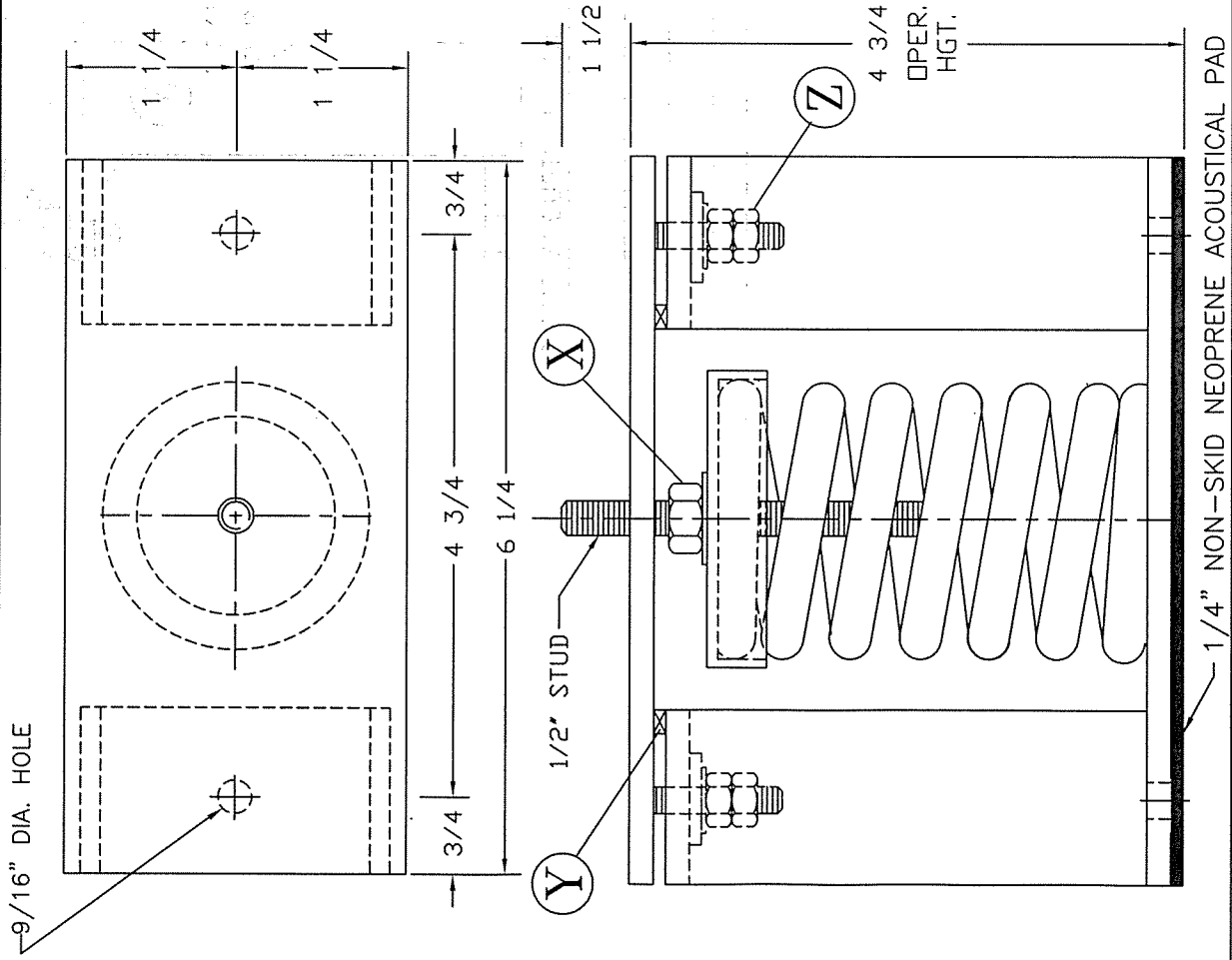


TYPE "1KW2-ST" VERTICALLY RESTRAINED SPRING ISOLATOR

ISOLATOR TYPE	COLOR CODE	RATED LOAD	RATED DEFL.
{ F21S -ST F22S -ST F23S -ST F24S -ST F25S -ST } 1KW2	Yellow	52#	1.50"
	Red	100#	1.50"
	White	187#	1.50"
	Green	286#	1.50"
	Blue	385#	1.50"

ALL HARDWARE ZINC-ELECTROPLATED



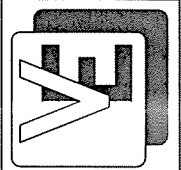
INSTALLATION INSTRUCTIONS:

1. INSTALL ISOLATORS UNDER BRACKET, BASE OR EQUIPMENT LEG. ISOLATORS MUST BE INSTALLED ON A LEVEL SURFACE.
2. INSTALL EQUIPMENT (INCLUDING ALL PIPING & WATER FOR COOLING TOWER).
3. TEMPORARILY REMOVE ALL VERTICAL LOCK NUTS "Z" FROM HOLD-DOWN BOLTS.
4. ADJUST ISOLATORS BY TURNING LEVELING NUT "X" CLOCKWISE SEVERAL TURNS AT A TIME ALTERNATELY ON EACH ISOLATOR UNTIL EQUIPMENT BEGINS TO RAISE. THEN LEVEL AS REQUIRED AND REMOVE TEMPORARY SHIMS "Y".
5. REPLACE ALL VERTICAL LOCK NUTS "Z" ON HOLD-DOWN BOLTS AND FASTEN FINGER TIGHT. EQUIPMENT IS NOW READY TO BE OPERATED.



C2000/1KV2SM-Strech.DWG.

VIBRATION ELIMINATOR CO., INC.
 15 Dixon Avenue
 Copogue, NY 11726
 TEL. (631)841-4000 FAX (631)841-0020



JOB : _____
 CONTRACTOR : _____
 P.O. NO. : _____

Dwg. No. _____