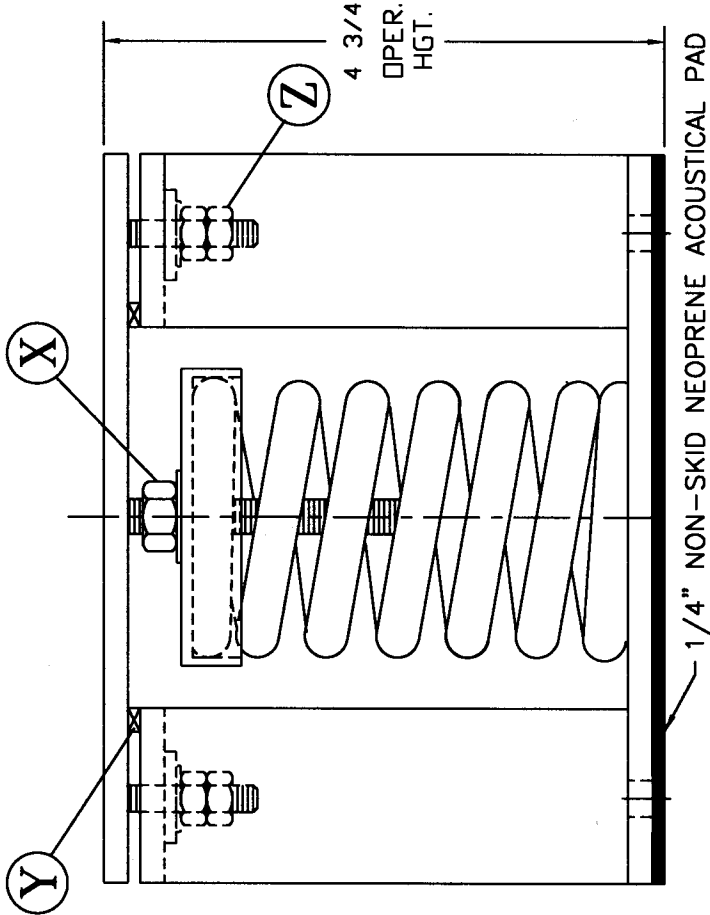
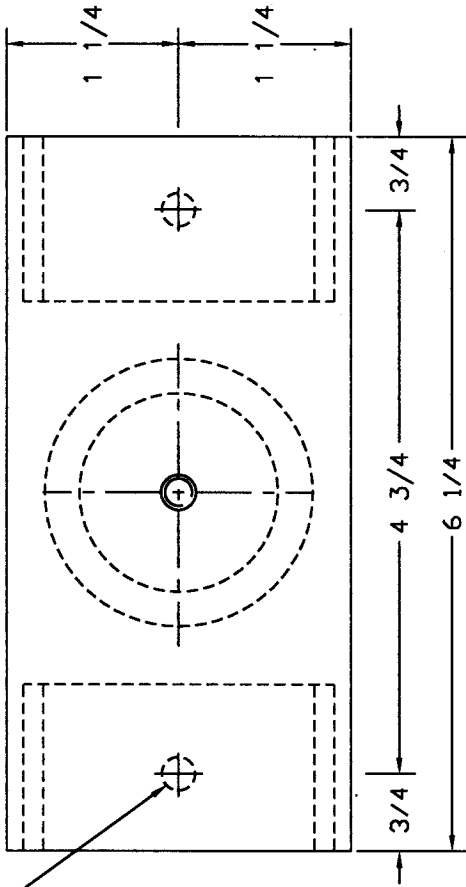


# TYPE "1KW2" VERTICALLY RESTRAINED SPRING ISOLATOR

9/16" DIA. HOLE



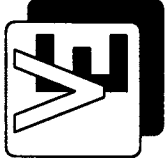
ISOLATOR TYPE	COLOR CODE	RATED LOAD	RATED DEFL.
1KW2 { F21 F22 F23 F24 F25 F26 F27	Yellow	40#	1.00"
	Red	100#	1.00"
	White	150#	1.00"
	Green	210#	1.00"
	Blue	300#	1.00"
	Orange	400#	1.00"
	Brown	500#	1.00"

ALL HARDWARE ZINC-ELECTROPLATED

INSTALLATION INSTRUCTIONS:

1. INSTALL ISOLATORS UNDER BRACKET, BASE OR EQUIPMENT LEG. ISOLATORS MUST BE INSTALLED ON A LEVEL SURFACE.
2. INSTALL EQUIPMENT (INCLUDING ALL PIPING & WATER FOR COOLING TOWER).
3. TEMPORARILY REMOVE ALL VERTICAL LOCK NUTS "Z" FROM HOLD-DOWN BOLTS.
4. ADJUST ISOLATORS BY TURNING LEVELING NUT "X" CLOCKWISE SEVERAL TURNS AT A TIME ALTERNATELY ON EACH ISOLATOR UNTIL EQUIPMENT BEGINS TO RAISE. THEN LEVEL AS REQUIRED AND REMOVE TEMPORARY SHIMS "Y".
5. REPLACE ALL VERTICAL LOCK NUTS "Z" ON HOLD-DOWN BOLTS AND FASTEN FINGER TIGHT. EQUIPMENT IS NOW READY TO BE OPERATED.

C2000/1KW2SH.DWG.



VIBRATION ELIMINATOR CO., INC.  
15 Dixon Avenue  
Copiague, NY 11726  
TEL. (631)841-4000 FAX (631)841-0020

JOB : \_\_\_\_\_  
CONTRACTOR : \_\_\_\_\_  
P.O. NO. : \_\_\_\_\_

Dwg. No. \_\_\_\_\_