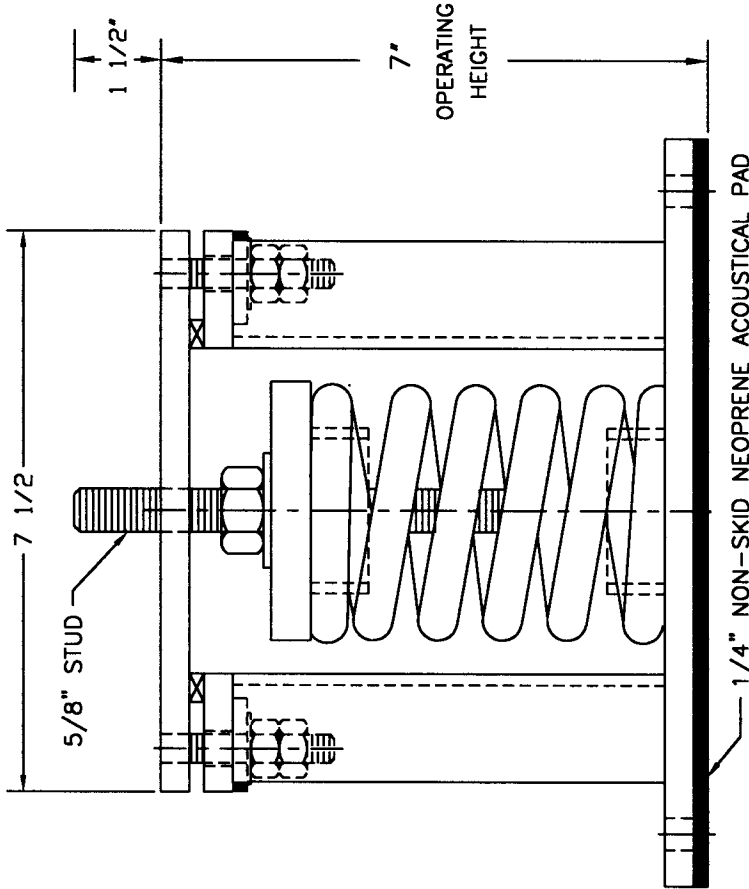
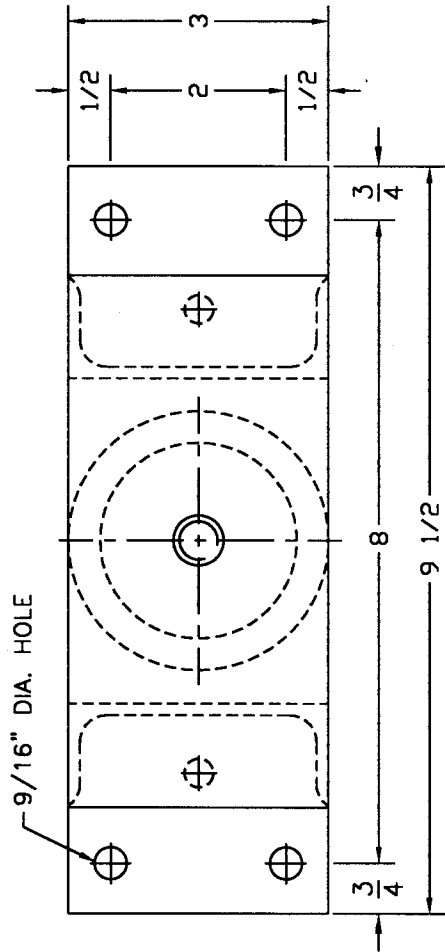


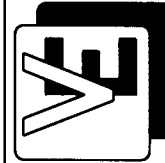
# TYPE "1KW3-ST" VERTICALLY RESTRAINED SPRING ISOLATOR



ISOLATOR TYPE	COLOR CODE	RATED LOAD	RATED DEFL.
{ F30-ST F31-ST F32-ST F33-ST F34-ST F35-ST F36-ST F37-ST F38-ST F39-ST F40-ST F41-ST } 1KW3	Silver	155 #	1.85"
	Yellow	220 #	1.70"
	Red	310 #	1.55"
	White	420 #	1.40"
	Green	540 #	1.25"
	Blue	710 #	1.15"
	Orange	900 #	1.05"
	Gold	1030 #	1.00"
	Red/Silver	1275 #	1.00"
	Red/Yellow	1630 #	1.00"
	Red/White	2100 #	1.00"
Red/Green	3000 #	1.00"	

ISOLATOR ZINC-ELECTROPLATED

C2002/1K1/25K1/DWG



VIBRATION ELIMINATOR CO. INC.

15 Dixon Avenue

Copioque, NY 11726

TEL. (631) 841-4000 FAX (631) 841-0020

JOB : \_\_\_\_\_  
 CONTRACTOR : \_\_\_\_\_  
 P.O. NO. : \_\_\_\_\_

Dwg. No. \_\_\_\_\_