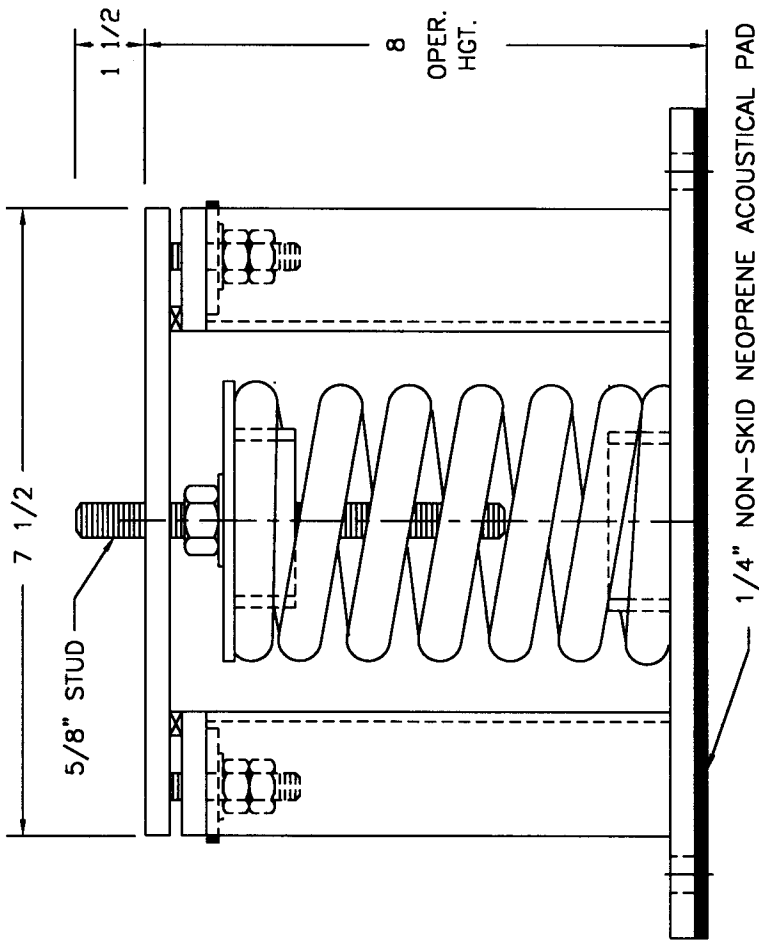
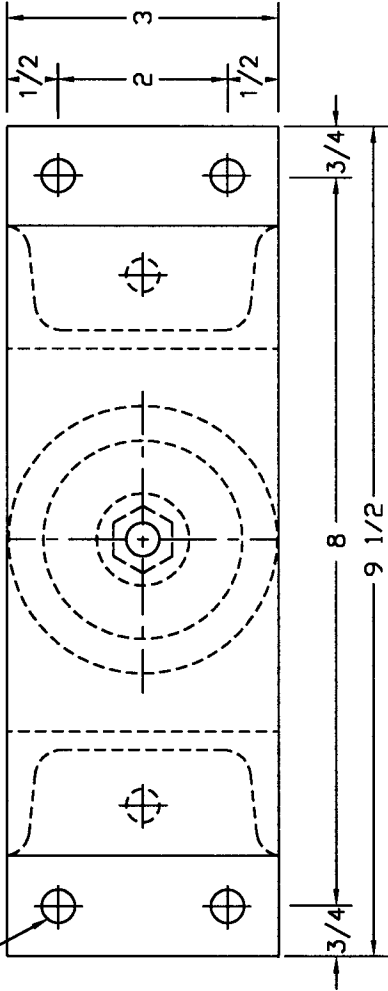


TYPE "1KW6-ST" VERTICALLY RESTRAINED SPRING ISOLATOR

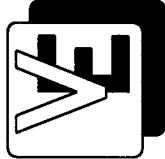
9/16 DIA. HOLE



ISOLATOR TYPE	COLOR CODE	RATED LOAD	RATED DEFL.
F60 -ST F61 -ST F62 -ST F63 -ST F64 -ST F65 -ST F66 -ST F67 -ST F68 -ST F69 -ST } 1KW6	Silver	60#	3.00"
	Yellow	109#	2.72"
	Red	155#	2.58"
	Green	210#	2.32"
	Blue	275#	2.20"
	Orange	365#	2.08"
	Gold	500#	2.00"
	White	715#	2.00"
	Red/Silver	945#	2.00"
Red/Yellow	1190#	2.00"	

ALL HARDWARE ZINC-ELECTROPLATED

CE200/1KW6-SR.DWG.



VIBRATION ELIMINATOR CO. INC.
 15 Dixon Avenue
 Copiague, NY 11726
 TEL. (631) 841-4000 FAX (631) 841-0020

JOB : _____
 CONTRACTOR : _____
 P.O. NO. : _____

Dwg. No. _____