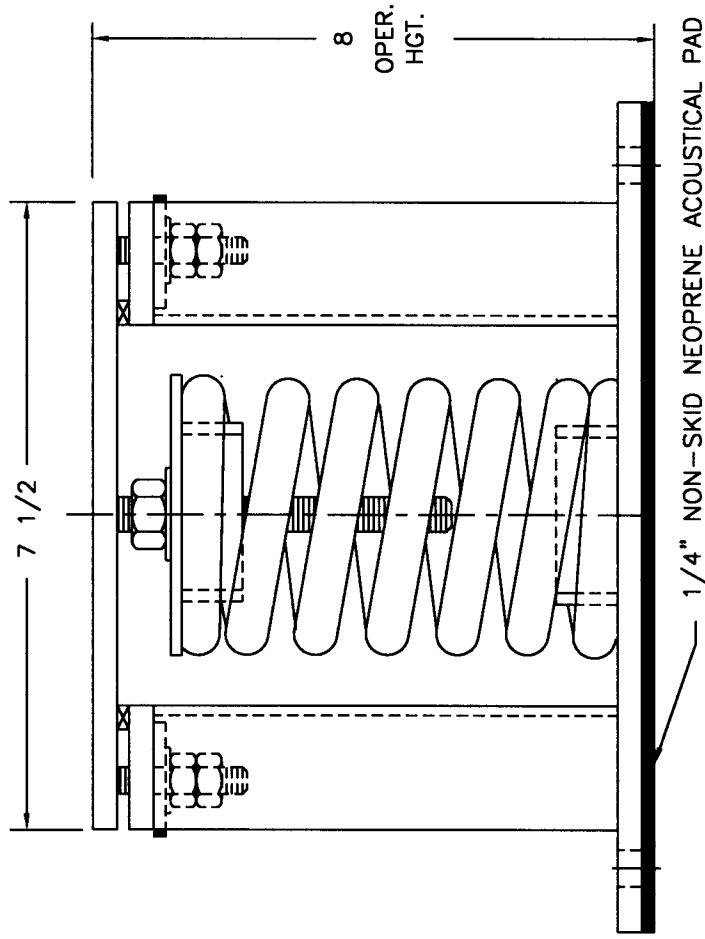
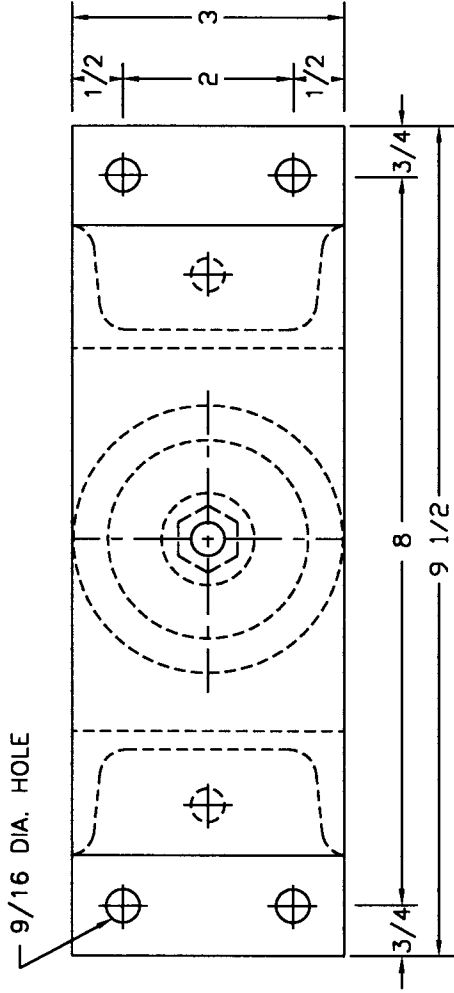


TYPE "1KW6" VERTICALLY RESTRAINED SPRING ISOLATOR



ALL HARDWARE ZINC-ELECTROPLATED

ISOLATOR TYPE	COLOR CODE	RATED LOAD	RATED DEFL.
{ F60 F61 F62 F63 F64 F65 F66 F67 F68 F69 } 1KW6	Silver	60#	3.00"
	Yellow	109#	2.72"
	Red	155#	2.58"
	Green	210#	2.32"
	Blue	275#	2.20"
	Orange	365#	2.08"
	Gold	500#	2.00"
	White	715#	2.00"
	Red/Silver	945#	2.00"
Red/Yellow	1190#	2.00"	



VIBRATION ELIMINATOR CO. INC.
 15 Dixon Avenue
 Copiague, NY 11726
 TEL. (631) 841-4000 FAX (631) 841-0020

CE2000/1KW6-SR.DWG.

JOB : _____
 CONTRACTOR : _____
 P.O. NO. : _____

Dwg. No.