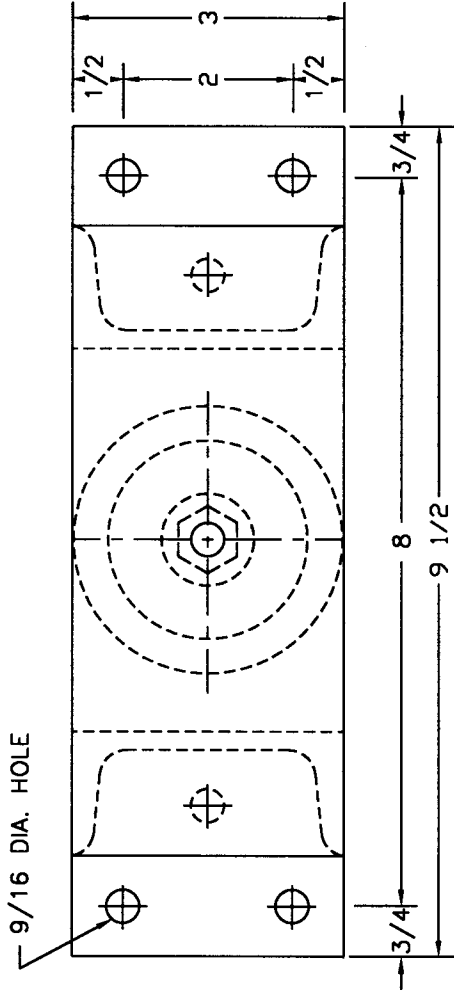
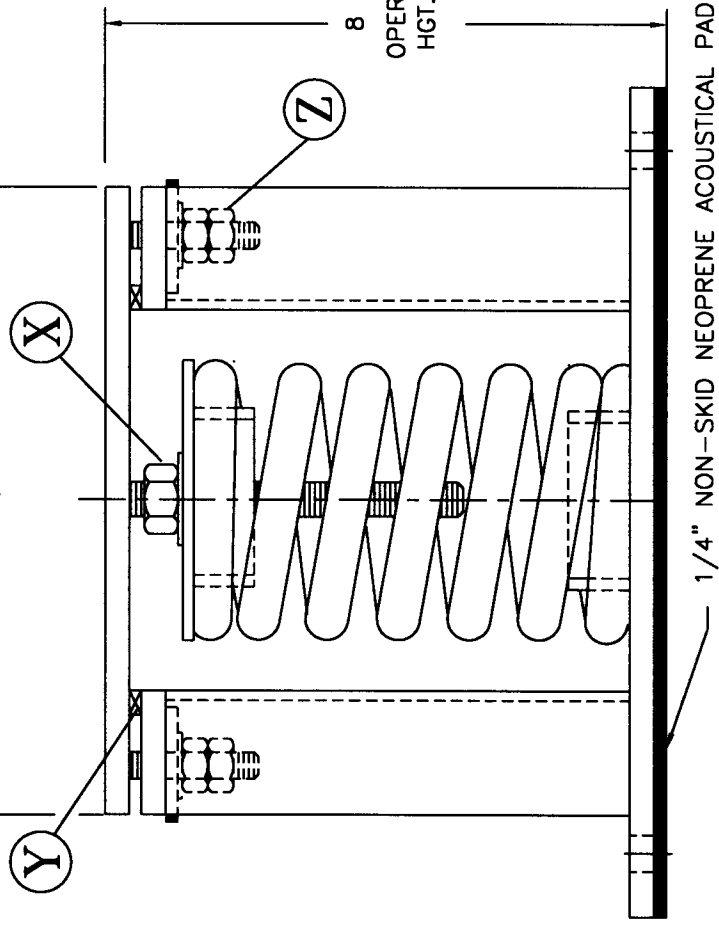


TYPE "1KW6" VERTICALLY RESTRAINED SPRING ISOLATOR



ALL HARDWARE ZINC-ELECTROPLATED

ISOLATOR TYPE	COLOR CODE	RATED LOAD	RATED DEFL.
{ 1KW6 }	Silver	60#	3.00"
	Yellow	109#	2.72"
	Red	155#	2.58"
	Green	210#	2.32"
	Blue	275#	2.20"
	Orange	365#	2.08"
	Gold	500#	2.00"
	White	715#	2.00"
	Red/Silver	945#	2.00"
Red/Yellow	1190#	2.00"	



INSTALLATION INSTRUCTIONS:

1. INSTALL ISOLATORS UNDER BRACKET, BASE OR EQUIPMENT LEG. ISOLATORS MUST BE INSTALLED ON A LEVEL SURFACE.
2. INSTALL EQUIPMENT (INCLUDING ALL PIPING & WATER FOR COOLING TOWER).
3. TEMPORARILY REMOVE ALL VERTICAL LOCK NUTS "Z" FROM HOLD-DOWN BOLTS.
4. ADJUST ISOLATORS BY TURNING LEVELING NUT "X" CLOCKWISE SEVERAL TURNS AT A TIME ALTERNATELY ON EACH ISOLATOR UNTIL EQUIPMENT BEGINS TO RAISE. THEN LEVEL AS REQUIRED AND REMOVE TEMPORARY SHIMS "Y".
5. REPLACE ALL VERTICAL LOCK NUTS "Z" ON HOLD-DOWN BOLTS AND FASTEN FINGER TIGHT. EQUIPMENT IS NOW READY TO BE OPERATED.



VIBRATION ELIMINATOR CO. INC.
 15 Dixon Avenue
 Copiague, NY 11726
 TEL. (631) 841-4000 FAX (631) 841-0020

1/4" NON-SKID NEOPRENE ACOUSTICAL PAD

C2000/1KW6-SK-DWG.

JOB : _____

CONTRACTOR : _____

P.O. NO. : _____

Dwg. No. _____