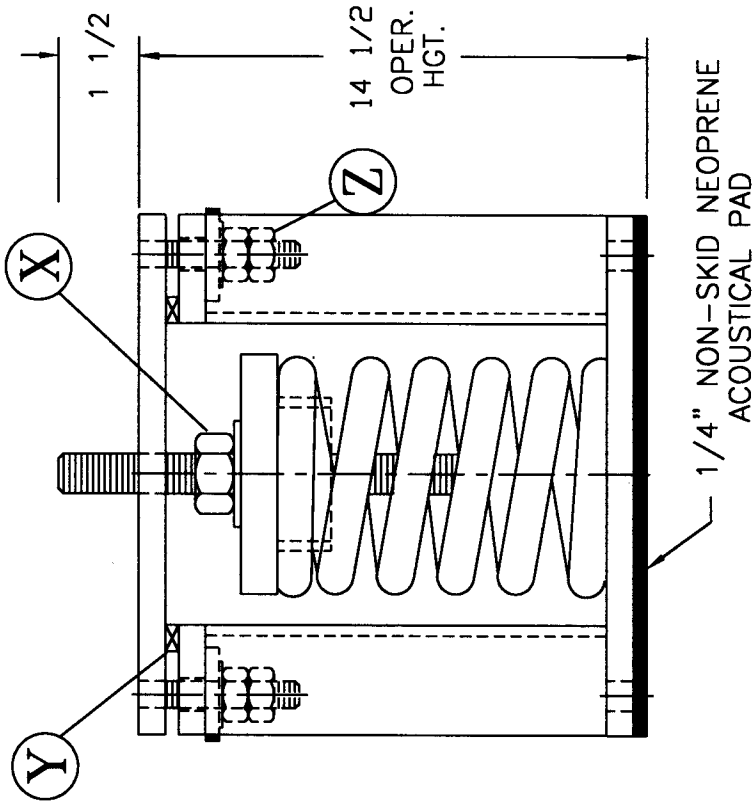
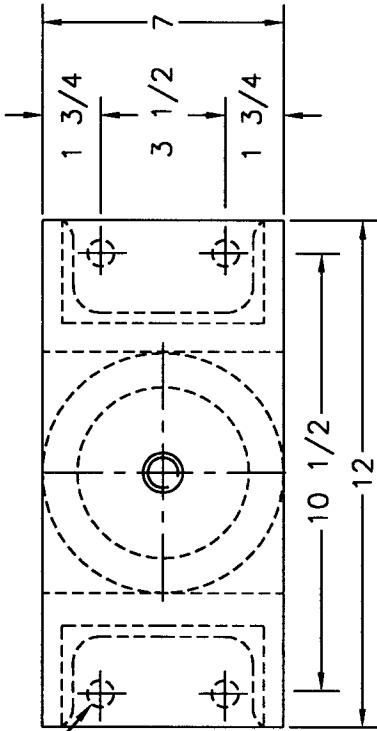


# TYPE "1KW7-ST" VERTICALLY RESTRAINED SPRING ISOLATOR

9/16 DIA. HOLE



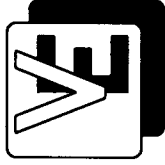
ALL HARDWARE ZINC-ELECTROPLATED

ISOLATOR TYPE	COLOR CODE	RATED LOAD	RATED DEFL.
{ F71 -ST F72 -ST F73 -ST F74 -ST F75 -ST F76 -ST F77 -ST F78 -ST } 1KW7	Silver	355 #	5.90"
	Yellow	770 #	5.30"
	Red	1080 #	5.00"
	White	1470 #	4.75"
	Green	1980 #	4.50"
	Blue	2575 #	4.20"
	Orange	3270 #	3.90"
	Gold	4000 #	3.60"

### INSTALLATION INSTRUCTIONS:

1. INSTALL ISOLATORS UNDER BRACKET, BASE OR EQUIPMENT LEG. ISOLATORS MUST BE INSTALLED ON A LEVEL SURFACE.
2. INSTALL EQUIPMENT (INCLUDING ALL PIPING & WATER FOR COOLING TOWER).
3. TEMPORARILY REMOVE ALL VERTICAL LOCK NUTS "Z" FROM HOLD-DOWN BOLTS.
4. ADJUST ISOLATORS BY TURNING LEVELING NUT "X" CLOCKWISE SEVERAL TURNS AT A TIME ALTERNATELY ON EACH ISOLATOR UNTIL EQUIPMENT BEGINS TO RAISE. THEN LEVEL AS REQUIRED AND REMOVE TEMPORARY SHIMS "Y".
5. REPLACE ALL VERTICAL LOCK NUTS "Z" ON HOLD-DOWN BOLTS AND FASTEN FINGER TIGHT. EQUIPMENT IS NOW READY TO BE OPERATED.

C2000/1KW7-SM.DWG



VIBRATION ELIMINATOR CO. INC.

15 Dixon Avenue  
Copiague, NY 11726

TEL. (631)841-4000 FAX (631) 841-0020

JOB : \_\_\_\_\_  
 CONTRACTOR : \_\_\_\_\_  
 P.O. NO. : \_\_\_\_\_

Dwg. No. \_\_\_\_\_