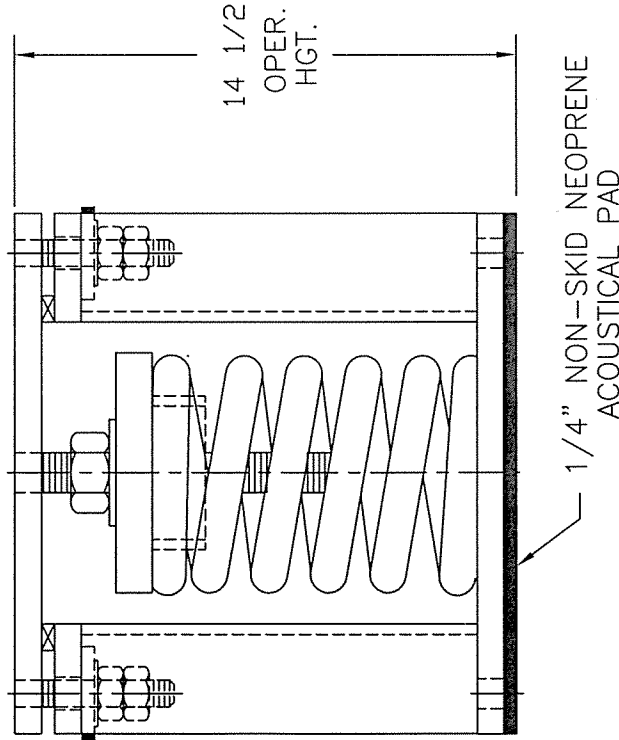
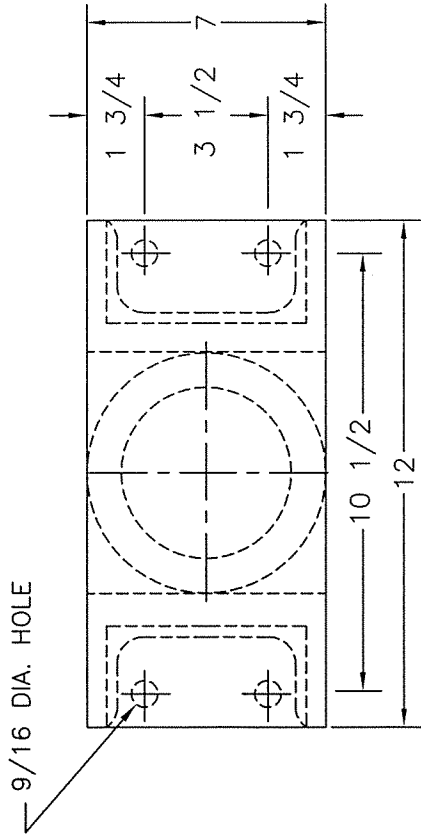
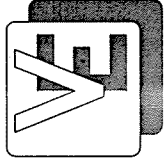


TYPE "1KW7" VERTICALLY RESTRAINED SPRING ISOLATOR



ISOLATOR TYPE	COLOR CODE	RATED LOAD	RATED DEFL.	
{ 1KW7	Silver	355 #	5.90"	
	Yellow	770 #	5.30"	
	Red	1080 #	5.00"	
	White	1470 #	4.75"	
	Green	1980 #	4.50"	
	Blue	2575 #	4.20"	
	Orange	3270 #	3.90"	
	Gold	4050 #	3.65"	
	Red/Red	5445 #	3.00"	
	Red/Blue	6220 #	3.00"	
	Red/White	6480 #	3.00"	
	Red/Orange	6290 #	3.00"	
	F71			
	F72			
F73				
F74				
F75				
F76				
F77				
F78				
F78/D4I				
F78/D5I				
F78/D6I				
F78/D7I				

ALL SPRINGS POWDER COATED
 ALL STEEL HOT DIPPED GALVANIZED
 ALL HARDWARE ZINC-ELECTROPLATED



C2000/1KW7-SM.DWG
VIBRATION ELIMINATOR CO. INC.
 15 Dixon Avenue
 Copiague, NY 11726

TEL. (631)841-4000 FAX (631) 841-0020

Dwg. No. _____

JOB : _____
 CONTRACTOR : _____
 P.O. NO. : _____