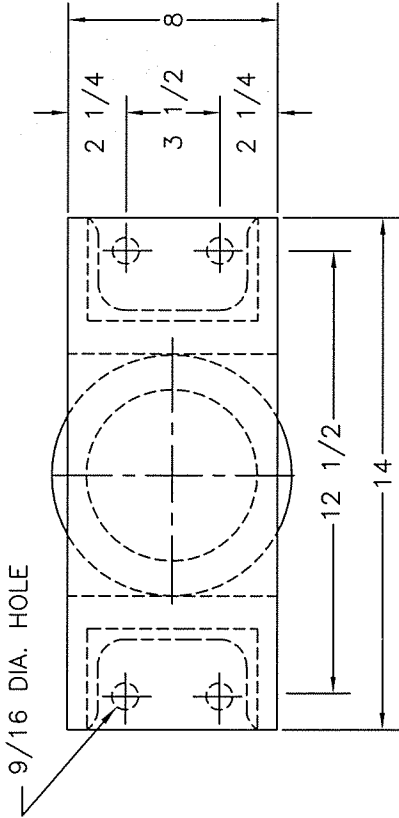


TYPE "1KW8" VERTICALLY RESTRAINED SPRING ISOLATOR

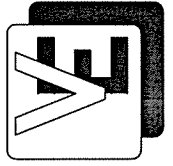
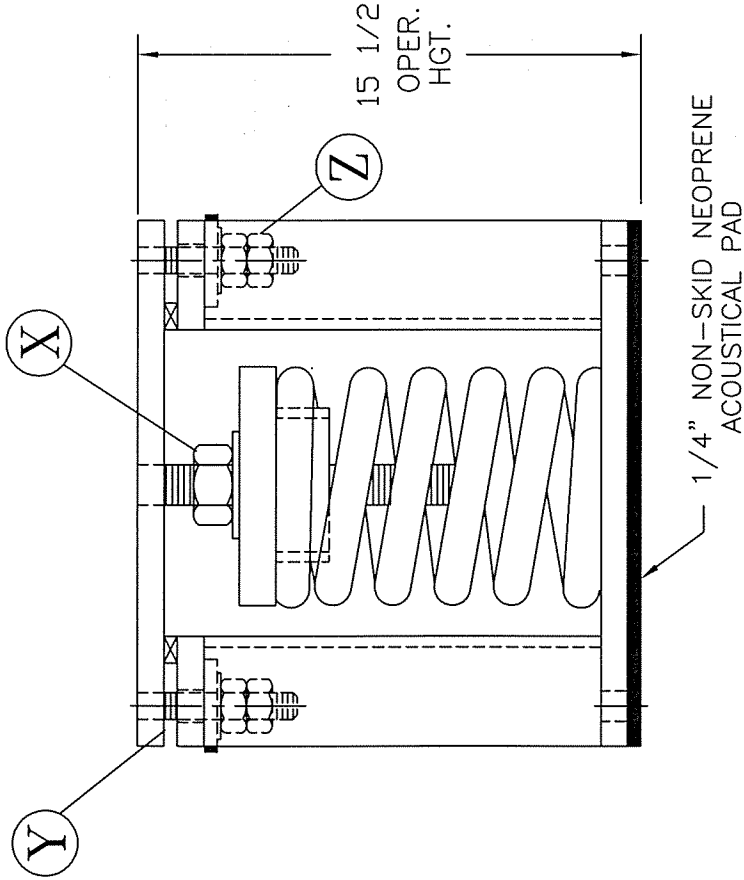
ISOLATOR TYPE	COLOR CODE	RATED LOAD	RATED DEFL.
1KW8	F83	4720 #	4.30"
	F84	5900 #	4.10"
	F83/D4D	9100 #	4.00"
	F84/D4D	10500 #	4.00"
	F84/D7D	13780 #	4.00"

ALL HARDWARE ZINC-ELECTROPLATED
 ALL STEEL HOT DIPPED GALVANIZED
 ALL SPRINGS POWDER COATED



INSTALLATION INSTRUCTIONS:

1. INSTALL ISOLATORS UNDER BRACKET, BASE OR EQUIPMENT LEG. ISOLATORS MUST BE INSTALLED ON A LEVEL SURFACE.
2. INSTALL EQUIPMENT (INCLUDING ALL PIPING & WATER FOR COOLING TOWER).
3. TEMPORARILY REMOVE ALL VERTICAL LOCK NUTS "Z" FROM HOLD-DOWN BOLTS.
4. ADJUST ISOLATORS BY TURNING LEVELING NUT "X" CLOCKWISE SEVERAL TURNS AT A TIME ALTERNATELY ON EACH ISOLATOR UNTIL EQUIPMENT BEGINS TO RAISE. THEN LEVEL AS REQUIRED AND REMOVE TEMPORARY SHIMS "Y".
5. REPLACE ALL VERTICAL LOCK NUTS "Z" ON HOLD-DOWN BOLTS AND FASTEN FINGER TIGHT. EQUIPMENT IS NOW READY TO BE OPERATED.



JOB : _____
 CONTRACTOR : _____
 P.O. NO. : _____



C2000/1KW8-SM.DWG

VIBRATION ELIMINATOR CO. INC.

15 Dixon Avenue
 Copiague, NY 11726

PH. (631) 841-4000 FAX (631) 841-0020

Dwg. No.: