

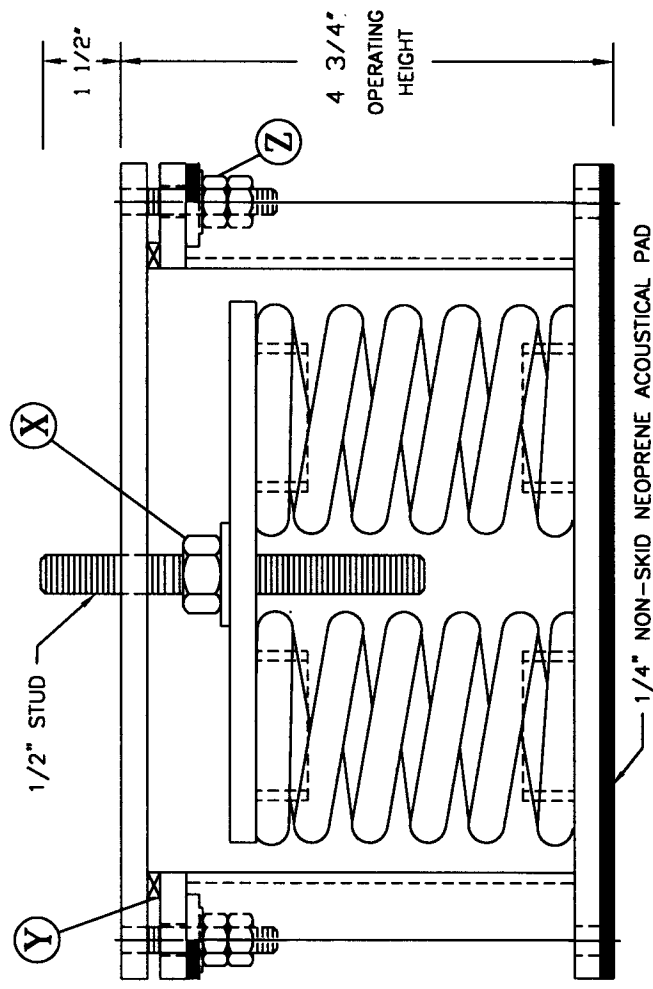
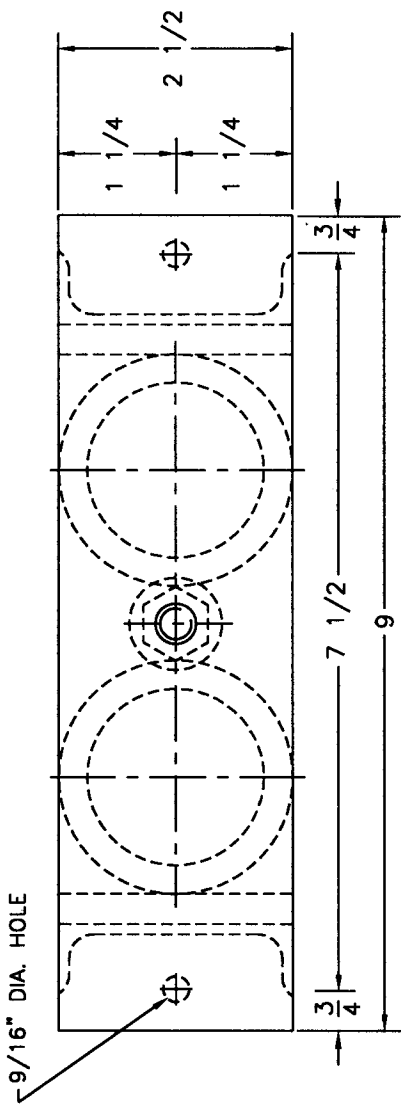
TYPE "2KW2-ST" VERTICALLY RESTRAINED SPRING ISOLATOR

ISOLATOR TYPE	COLOR CODE	RATED LOAD	RATED DEFL.
{ 2KW2 }	Yellow	80 #	1.00"
	Red	200 #	1.00"
	White	300 #	1.00"
	Green	420 #	1.00"
	Blue	600 #	1.00"
	Orange	800 #	1.00"
	Brown	1000 #	1.00"

ALL HARDWARE ZINC-ELECTROPLATED

INSTALLATION INSTRUCTIONS:

1. INSTALL ISOLATORS UNDER BRACKET, BASE OR EQUIPMENT LEG. ISOLATORS MUST BE INSTALLED ON A LEVEL SURFACE.
2. INSTALL EQUIPMENT (INCLUDING ALL PIPING & WATER FOR COOLING TOWER).
3. TEMPORARILY REMOVE ALL VERTICAL LOCK NUTS "Z" FROM HOLD-DOWN BOLTS.
4. ADJUST ISOLATORS BY TURNING LEVELING NUT "X" CLOCKWISE SEVERAL TURNS AT A TIME ALTERNATELY ON EACH ISOLATOR UNTIL EQUIPMENT BEGINS TO RAISE. THEN LEVEL AS REQUIRED AND REMOVE TEMPORARY SHIMS "Y".
5. REPLACE ALL VERTICAL LOCK NUTS "Z" ON HOLD-DOWN BOLTS AND FASTEN FINGER TIGHT. EQUIPMENT IS NOW READY TO BE OPERATED.



VIBRATION ELIMINATOR CO., INC.
 15 Dixon Avenue
 Copiague, NY 11726
 TEL. (631)841-4000 FAX (631)841-0020

C2000/2KV2SH.DWG.

JOB : _____
 CONTRACTOR : _____
 P.O. NO. : _____

Dwg. No. _____