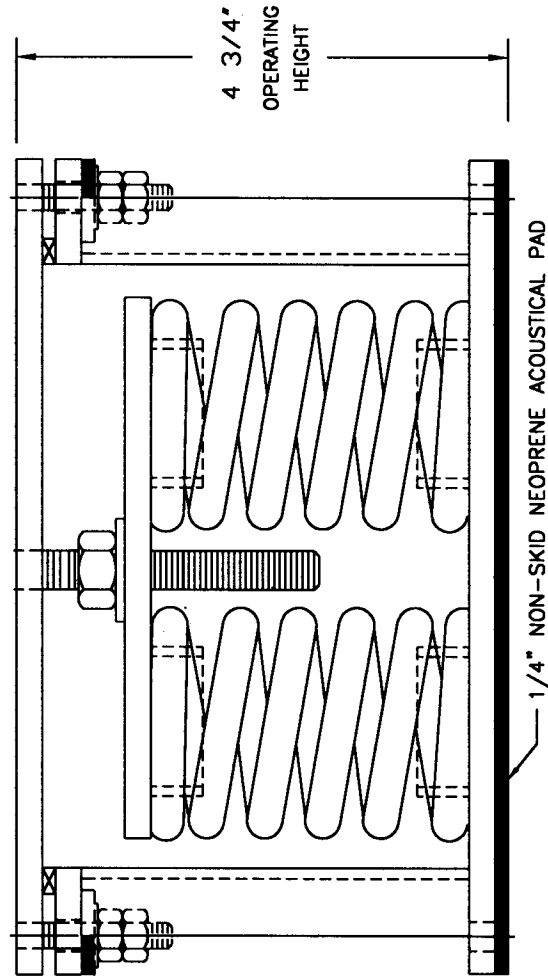
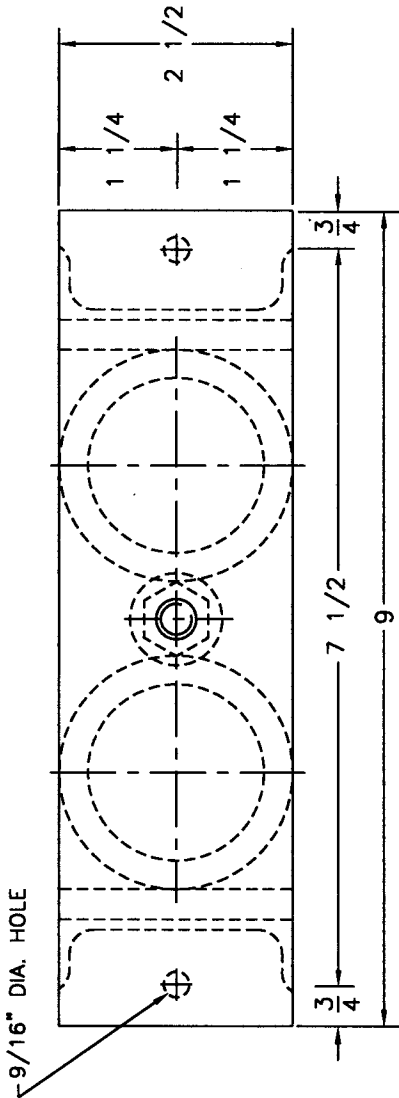


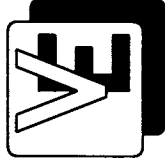
TYPE "2KW2" VERTICALLY RESTRAINED SPRING ISOLATOR



ALL HARDWARE ZINC-ELECTROPLATED

ISOLATOR TYPE	COLOR CODE	RATED LOAD	RATED DEFL.
2KW2 { F21 F22 F23 F24 F25 F26 F27 }	Yellow	80 #	1.00"
	Red	200 #	1.00"
	White	300 #	1.00"
	Green	420 #	1.00"
	Blue	600 #	1.00"
	Orange	800 #	1.00"
	Brown	1000 #	1.00"

C2000/2KW2SM.DWG.



VIBRATION ELIMINATOR CO., INC.
 15 Dixon Avenue
 Copiague, NY 11726
 TEL. (631)841-4000 FAX (631)841-0020

JOB : _____
 CONTRACTOR : _____
 P.O. NO. : _____

Dwg. No. _____