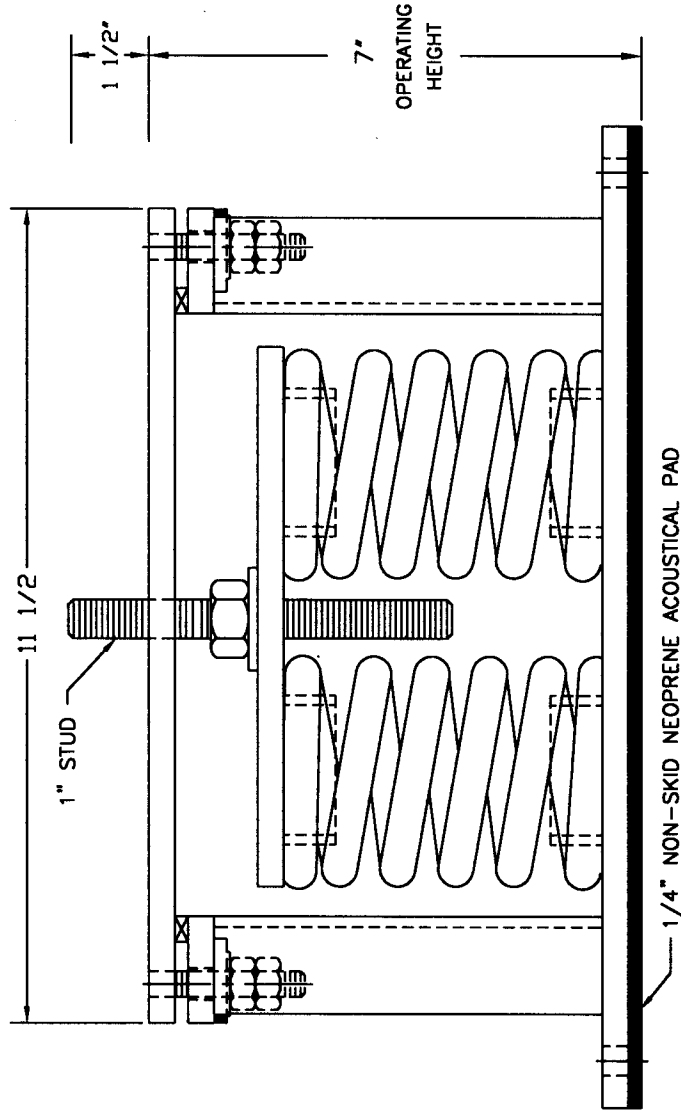
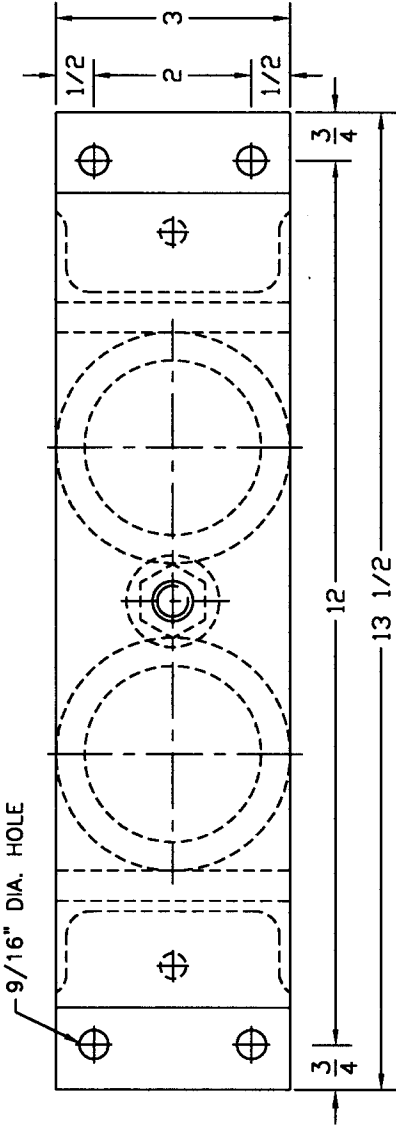


TYPE "2KW3-ST" VERTICALLY RESTRAINED SPRING ISOLATOR

ISOLATOR TYPE	COLOR CODE	RATED LOAD	RATED DEFL.
2KW3	Red/Silver	2550 #	1.00"
	Red/Yellow	3260 #	1.00"
	Red/White	4200 #	1.00"
	Red/Green	6000 #	1.00"

ALL HARDWARE ZINC-ELECTROPLATED



C2000/2KW3ST.DWG

VIBRATION ELIMINATOR CO. INC.

15 Dixon Avenue
Copiogue, NY 11726

TEL. (631)841-4000 FAX (631)841-0020



JOB : _____
 CONTRACTOR : _____
 P.O. NO. : _____

Dwg. No. _____