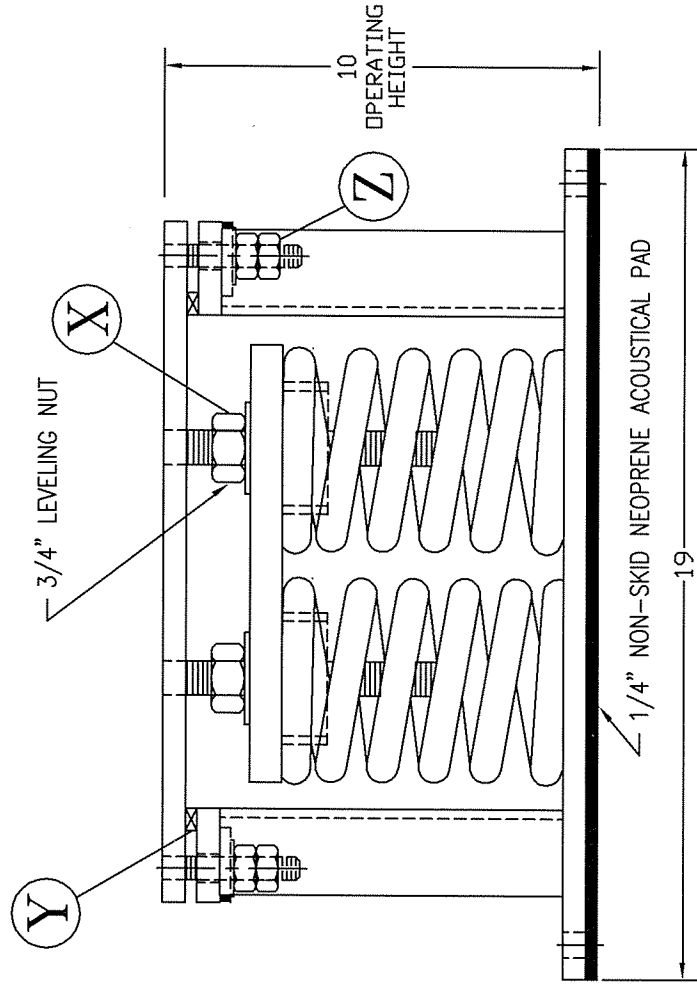
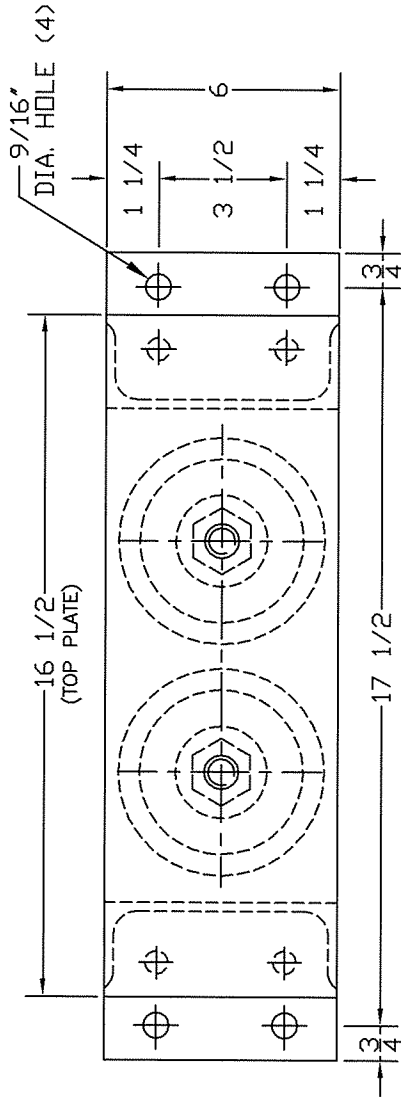


# TYPE "2KW5" VERTICALLY RESTRAINED SPRING ISOLATOR

ISOLATOR TYPE	COLOR CODE	RATED LOAD	RATED DEFL.
2KW5	F93	1950 #	3.0"
	F94	2520 #	3.0"
	F95	3060 #	3.0"
	F96	3786 #	3.0"
	F97	4476 #	3.0"
	F98	5268 #	3.0"
	F98/F69	Gold/Yellow	3.0"
	F98/F69B	Gold/Yellow	3.0"

ALL HARDWARE ZINC-ELECTROPLATED



INSTALLATION INSTRUCTIONS:

1. INSTALL ISOLATORS UNDER BRACKET, BASE OR EQUIPMENT LEG. ISOLATORS MUST BE INSTALLED ON A LEVEL SURFACE.
2. INSTALL EQUIPMENT (INCLUDING ALL PIPING & WATER FOR COOLING TOWER).
3. TEMPORARILY REMOVE ALL VERTICAL LOCK NUTS "Z" FROM HOLD-DOWN BOLTS.
4. ADJUST ISOLATORS BY TURNING LEVELING NUT "X" CLOCKWISE SEVERAL TURNS AT A TIME ALTERNATELY ON EACH ISOLATOR UNTIL EQUIPMENT BEGINS TO RAISE. THEN LEVEL AS REQUIRED AND REMOVE TEMPORARY SHIMS "Y".
5. REPLACE ALL VERTICAL LOCK NUTS "Z" ON HOLD-DOWN BOLTS AND FASTEN FINGER TIGHT. EQUIPMENT IS NOW READY TO BE OPERATED.

C2000/2KW5.DWG.



VIBRATION ELIMINATOR CO. INC.

15 Dixon Avenue  
Copiague, NY 11726

TEL. (631) 841-4000 FAX (631) 841-0020

JOB : \_\_\_\_\_  
 CONTRACTOR : \_\_\_\_\_  
 P.O. NO. : \_\_\_\_\_

Dwg. No. \_\_\_\_\_