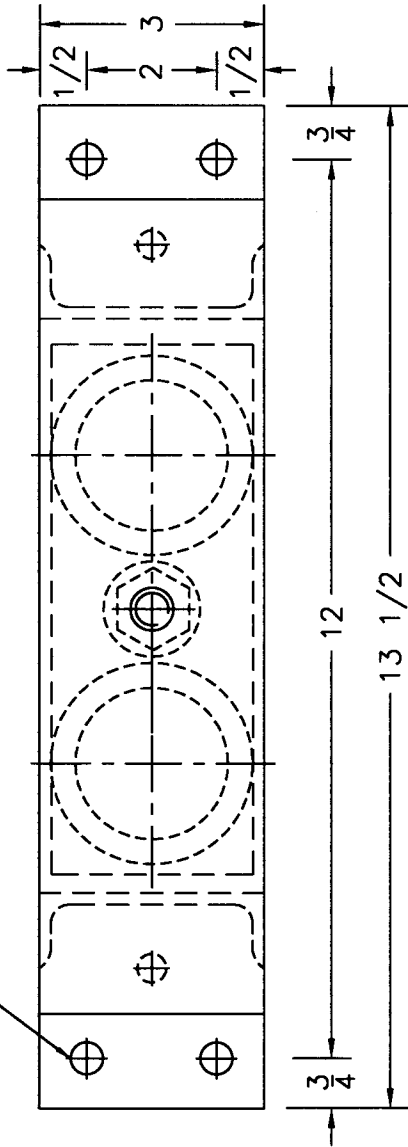


TYPE "2KW6-ST" VERTICALLY RESTRAINED SPRING ISOLATOR

9/16" DIA. HOLE

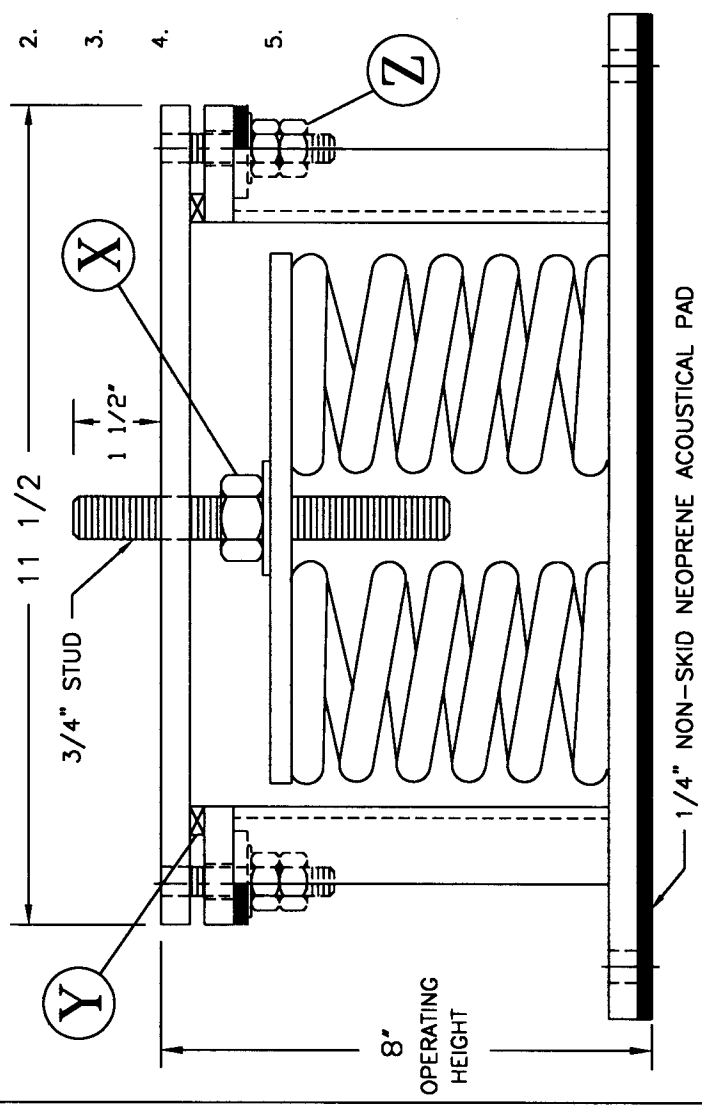


ISOLATOR TYPE	COLOR CODE	RATED LOAD	RATED DEFL.
2KW6	Orange	730 #	2.08"
	Gold	1000 #	2.00"
	White	1430 #	2.00"
	Red/Silver	1890 #	2.00"
	Red/Yellow	2380 #	2.00"

ALL HARDWARE ZINC-ELECTROPLATED

INSTALLATION INSTRUCTIONS:


1. INSTALL ISOLATORS UNDER BRACKET, BASE OR EQUIPMENT LEG. ISOLATORS MUST BE INSTALLED ON A LEVEL SURFACE.
2. INSTALL EQUIPMENT (INCLUDING ALL PIPING & WATER FOR COOLING TOWER).
3. TEMPORARILY REMOVE ALL VERTICAL LOCK NUTS "Z" FROM HOLD-DOWN BOLTS.
4. ADJUST ISOLATORS BY TURNING LEVELING NUT "X" CLOCKWISE SEVERAL TURNS AT A TIME ALTERNATELY ON EACH ISOLATOR UNTIL EQUIPMENT BEGINS TO RAISE. THEN LEVEL AS REQUIRED AND REMOVE TEMPORARY SHIMS "Y".
5. REPLACE ALL VERTICAL LOCK NUTS "Z" ON HOLD-DOWN BOLTS AND FASTEN FINGER TIGHT. EQUIPMENT IS NOW READY TO BE OPERATED.



JOB : _____

CONTRACTOR : _____

P.O. NO. : _____



VIBRATION ELIMINATOR CO. INC.
15 Dixon Avenue
Copiague, NY 11726
TEL. (631)841-4000 FAX (631)841-0020

Dwg. No. _____

E2009/2K16-5M.DWG.