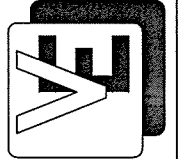
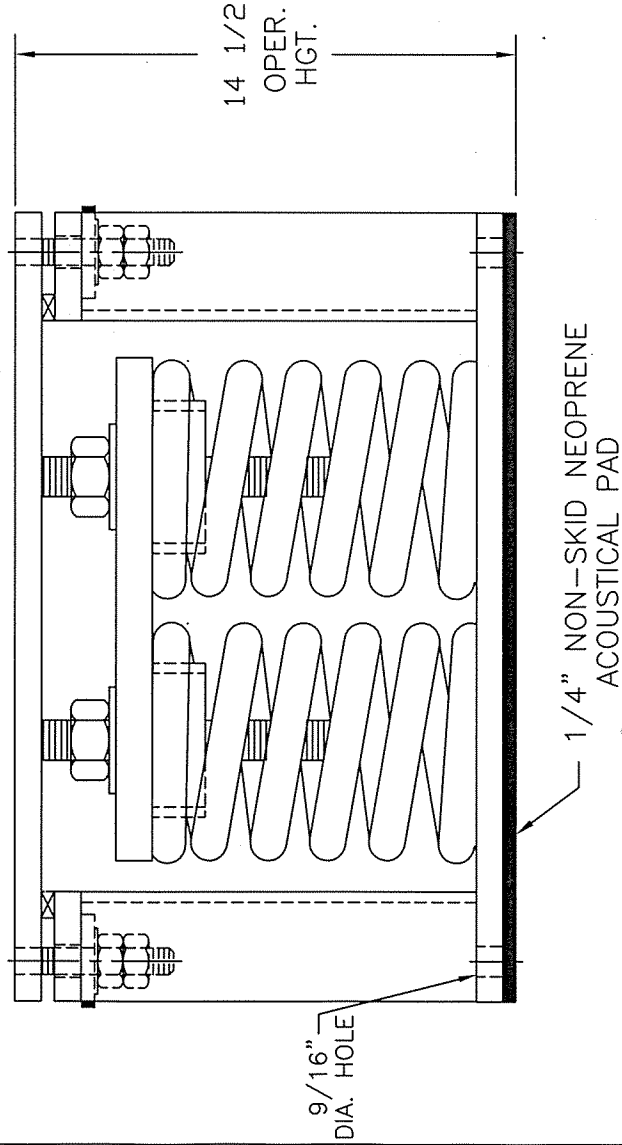
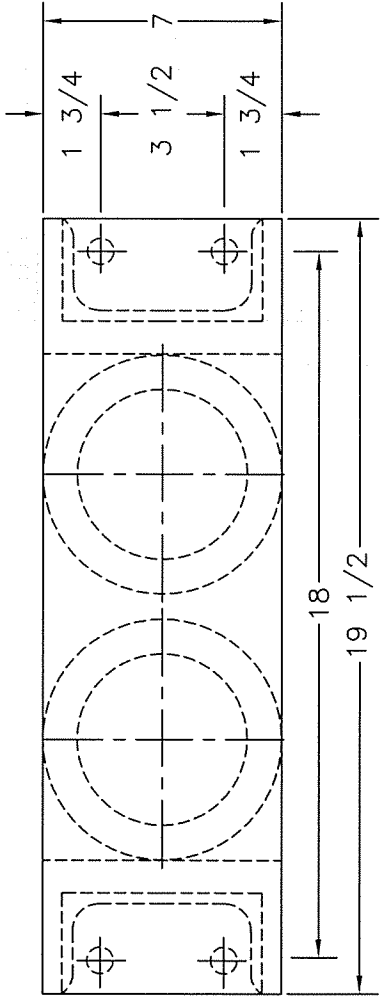


TYPE "2KW7" VERTICALLY RESTRAINED SPRING ISOLATOR

ISOLATOR TYPE	COLOR CODE	RATED LOAD	RATED DEFL.
{ F74 F75 F76 F77 F78 F78/D41 F78/D51 F78/D71 } 2KW7	White	2940 #	4.75"
	Green	3960 #	4.50"
	Blue	5150 #	4.20"
	Orange	6540 #	3.90"
	Gold	8000 #	3.60"
	Gold/White	10,890 #	3.00"
	Gold/Blue	12,440 #	3.00"
Gold/Orange	12,580 #	3.00"	



VIBRATION ELIMINATOR CO. INC.
 15 Dixon Avenue
 Copiague, NY 11726
 TEL. (631)841-4000 FAX (631)841-0020

JOB : _____
 CONTRACTOR : _____
 P.O. NO. : _____

Dwg. No.: