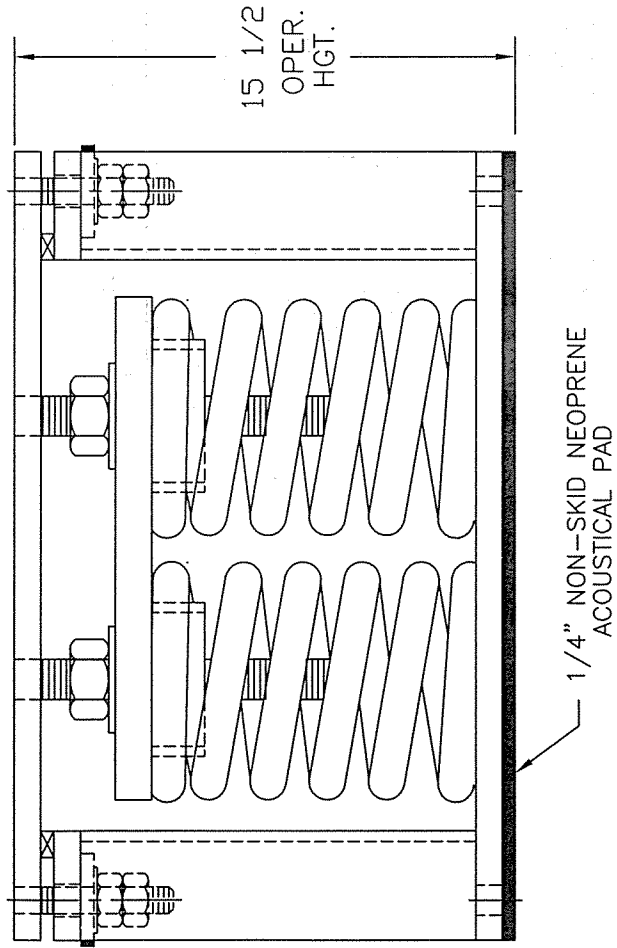
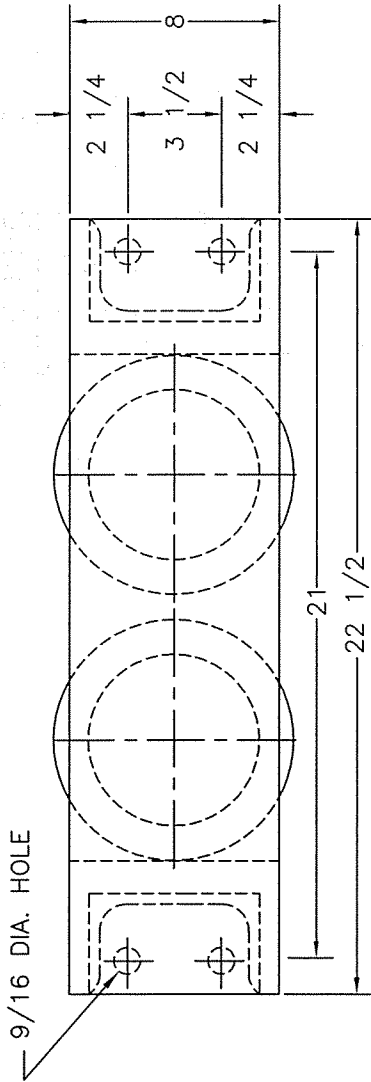


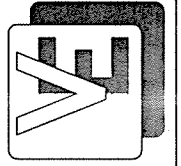
# TYPE "2KW8" VERTICALLY RESTRAINED SPRING ISOLATOR



ISOLATOR TYPE	COLOR CODE	RATED LOAD	RATED DEFL.
F83 F84 F83/D40 F83/D50 F83/D70 F84/D40 F84/D50 F84/D70 2KW8	Red	9460 #	4.3"
	White	11800 #	4.1"
	Red/Red	18310 #	4.0"
	Red/Blue	18730 #	4.0"
	Red/Orange	19820 #	4.0"
	White/Red	21100 #	4.0"
	White/Blue	21450 #	4.0"
	White/Orange	22550 #	4.0"

ALL SPRINGS POWDER COATED  
 ALL STEEL HOT DIPPED GALVANIZED  
 ALL HARDWARE ZINC-ELECTROPLATED

JOB : \_\_\_\_\_  
 CONTRACTOR : \_\_\_\_\_  
 P.O. NO. : \_\_\_\_\_



C2000/2KW8-SM.DWG  
**VIBRATION ELIMINATOR CO. INC.**  
 15 Dixon Avenue  
 Copiague, NY 11726  
 TEL. (631)841-4000 FAX (631)841-0020

Dwg. No.: