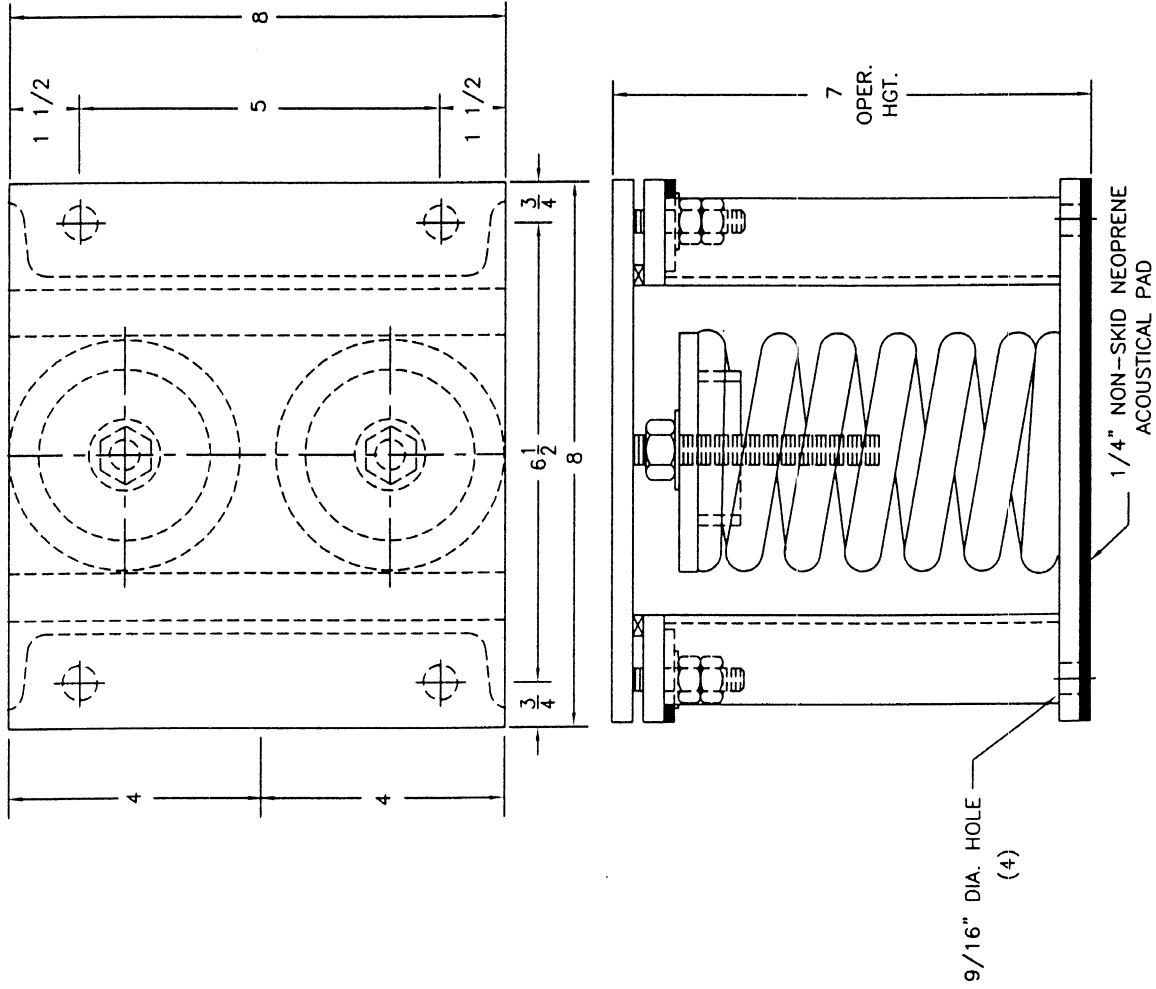
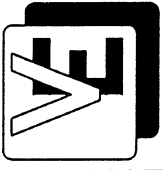


TYPE "2KWCH3" VERTICALLY RESTRAINED SPRING ISOLATOR

ISOLATOR TYPE	COLOR CODE	RATED LOAD	RATED DEFL.
2KWCH3	F38	2550 #	1.00"
	F39	3260 #	1.00"
	F40	4200 #	1.00"
	F41	6000 #	1.00"



2KWCH3.DWG
VIBRATION ELIMINATOR CO. INC.
 15 Dixon Avenue
 Copiague, NY 11726
 TEL. (631)841-4000 FAX (631)841-0020



JOB : _____
 CONTRACTOR : _____
 P.O. NO. : _____

Dwg. No.: