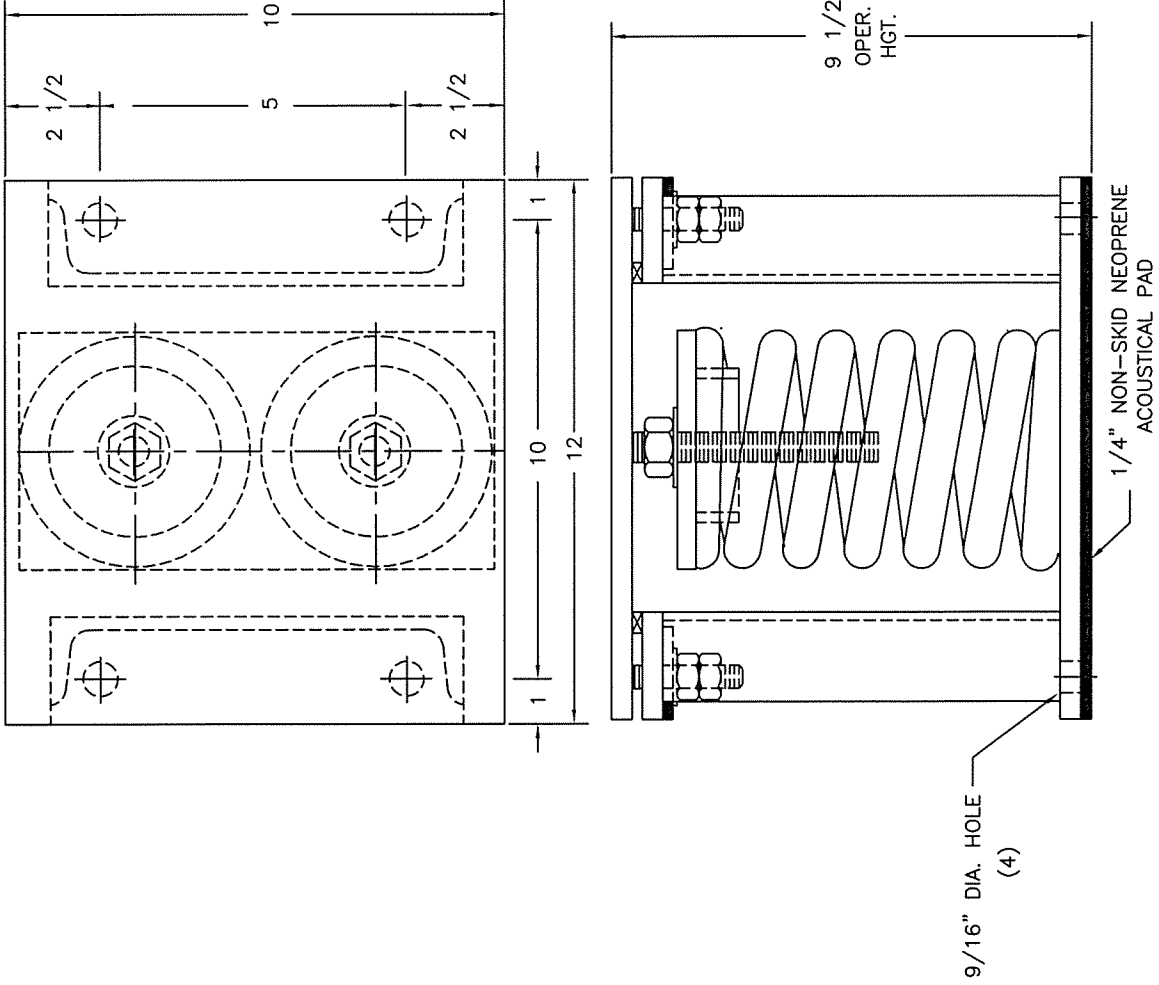


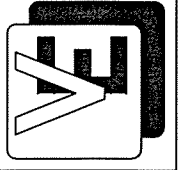
# TYPE "2KWCH4" VERTICALLY RESTRAINED SPRING ISOLATOR

ISOLATOR TYPE	COLOR CODE	RATED LOAD	RATED DEFL.
2KWCH4 { F56 F57 F58 F59 F59/F69	Orange	2440 #	2.00"
	Gold	3460 #	2.16"
	Red/Silver	4680 #	2.00"
	Red/Yellow	6000 #	2.00"
	Red/White	7360 #	2.00"

ALL SPRINGS & HARDWARE ZINC-ELECTROPLATED  
ALL STEEL HOT DIPPED GALVANIZED.



JOB : \_\_\_\_\_  
 CONTRACTOR : \_\_\_\_\_  
 P.O. NO. : \_\_\_\_\_



2KW4ODD.DWG  
**VIBRATION ELIMINATOR CO. INC.**  
 15 Dixon Avenue  
 Copiague, NY 11726  
 PH. (631)841-4000 FAX (631)841-0020

Dwg. No.: