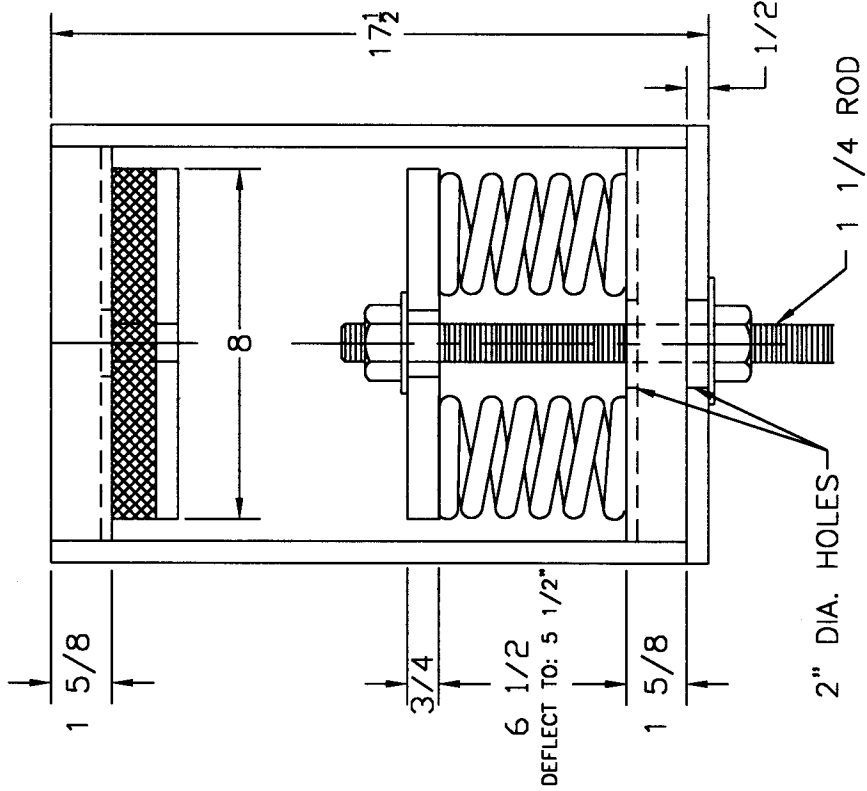
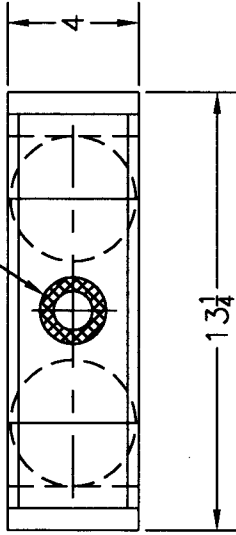


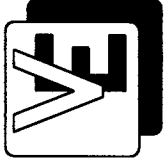
TYPE "2PCSR5" PREDEFLECTED SPRING HANGER

1 1/2 DIA. HOLE



PRE-DEFLECT 1"

ISOLATOR TYPE	COLOR	RATED LOAD	RATED DEFL.
2PCSR5 { F58 { F59	RED/SILVER RED/YELLOW	4680 # 6000 #	2.0" 2.0"



VIBRATION ELIMINATOR CO. INC.
15 Dixon Avenue
Copiague, NY 11726
TEL. (631)841-4000 FAX (631)841-0020

Dwg. No. _____

JOB : _____
CONTRACTOR : _____
P.O. NO. : _____