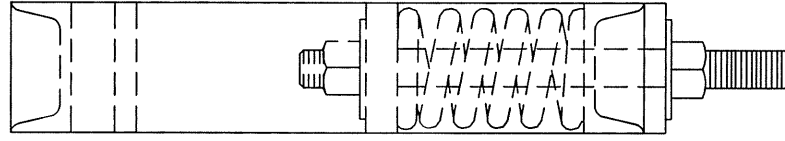
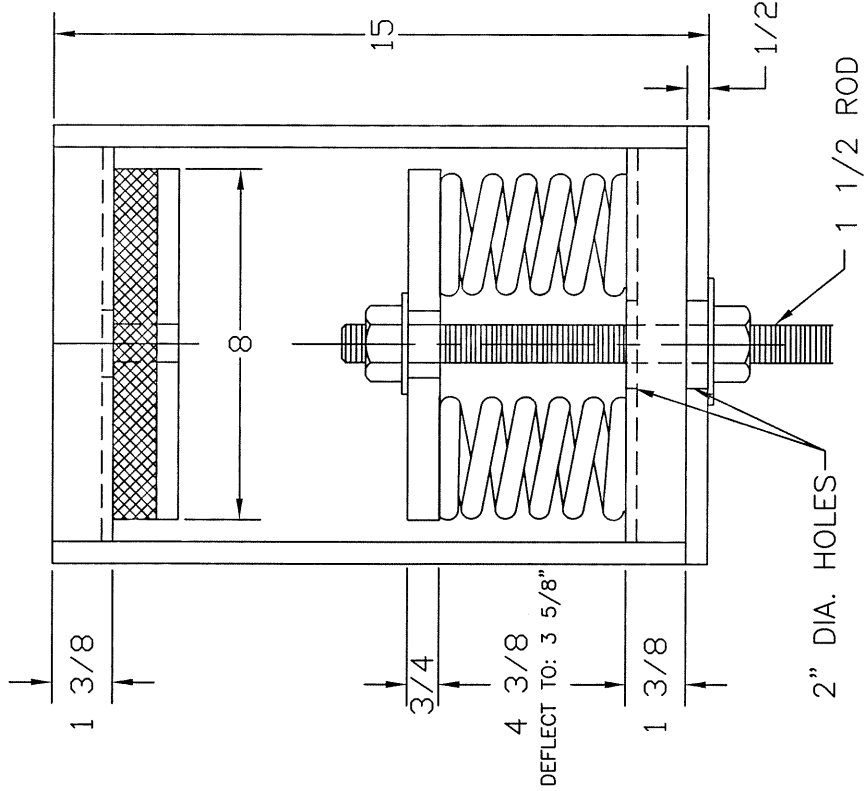
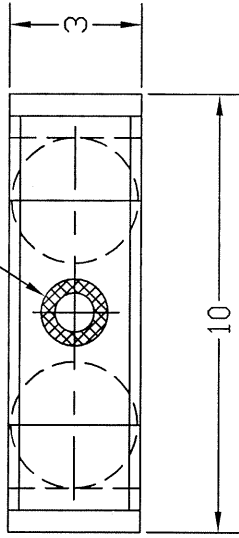


TYPE "2PCSR4" PRE-DEFLECTED SPRING HANGER

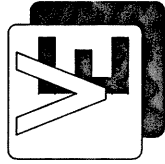
1 1/4 DIA. HOLE



PRE-DEFLECT 3/4"

ISOLATOR TYPE	COLOR	RATED LOAD	RATED DEFL.
2PCSR4 {	F38	2550 #	1.0"
	F39	3260 #	1.0"
	F40	4200 #	1.0"
	F41	6000 #	1.0"

JOB : _____
 CONTRACTOR : _____
 P.O. NO. : _____



VIBRATION ELIMINATOR CO. INC.
 15 Dixon Avenue
 Copiague, NY 11726
 TEL. (631)841-4000 FAX (631)841-0020

Dwg. No. _____