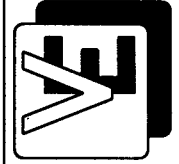
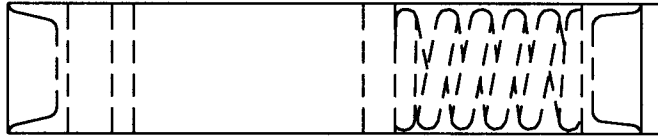
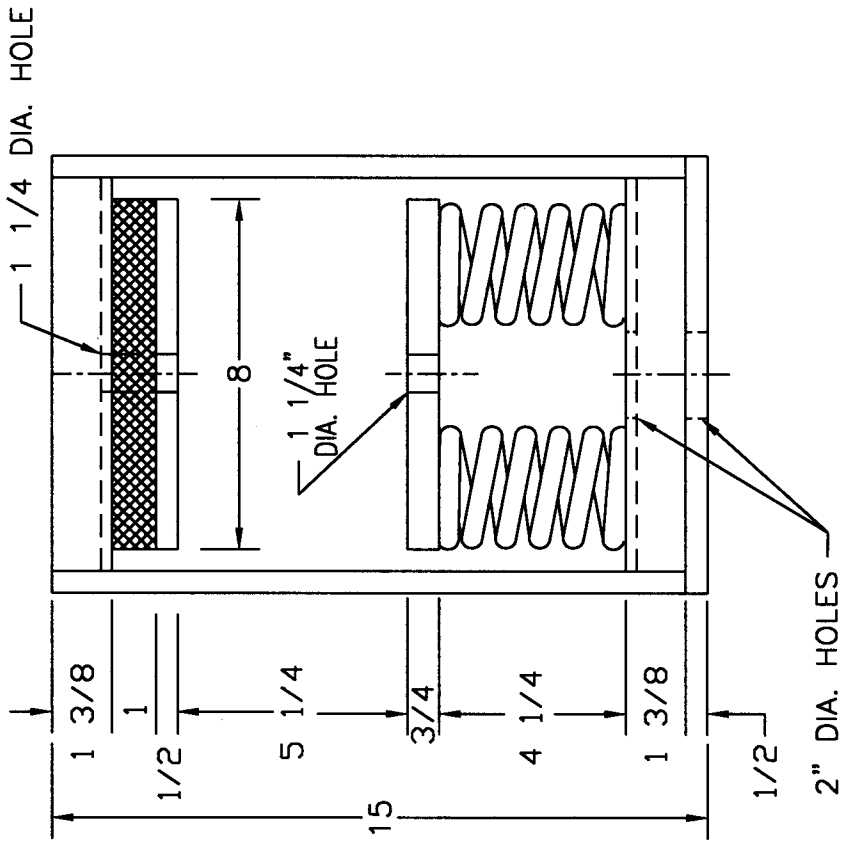
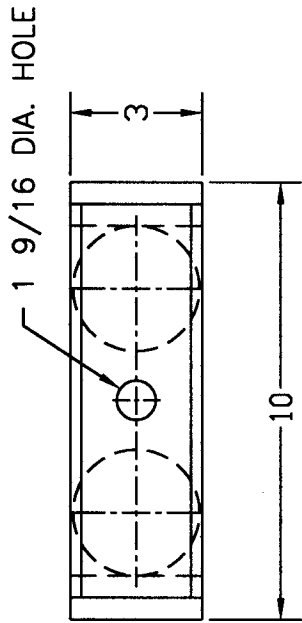


TYPE "2SNRC4" NEOPRENE & SPRING HANGER

ISOLATOR TYPE	COLOR	RATED LOAD	RATED DEFL.
2SNRC4 {	F39	3260 #	1.0"
	F40	4200 #	1.0"
	F41	6000 #	1.0"



VIBRATION ELIMINATOR CO. INC.
 15 Dixon Avenue
 Copiogue, NY 11726
 TEL. (631) 841-4000 FAX (631) 841-0020

Dwg. No.