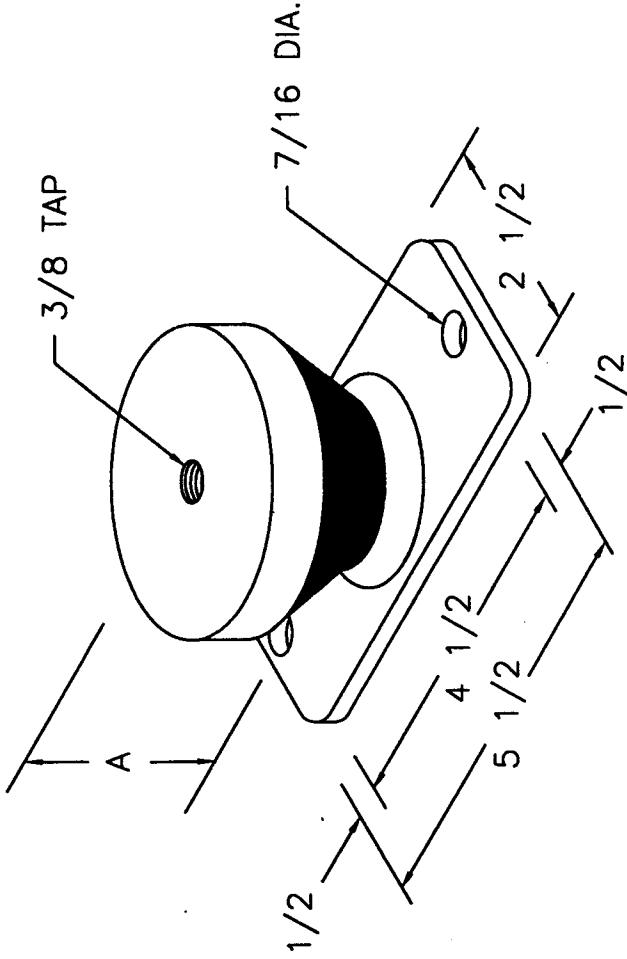


NEOPRENE ISOLATOR FOR FLOOR MOUNTING



| MODEL NUMBER | COLOR CODE | RATED LOAD | RATED DEFL. | "A" HEIGHT |
|--------------|------------|------------|-------------|------------|
| 368S | WHITE | 150 # | .25" | 1 15/16" |
| | GREEN | 350 # | | |
| | BLUE | 550 # | | |
| | ORANGE | 900 # | | |
| 368TD | WHITE | 150 # | .50" | 2 5/8" |
| | GREEN | 350 # | | |
| | BLUE | 550 # | | |
| | ORANGE | 900 # | | |

NOTE: ENTIRE ISOLATOR ZINC-ELECTROPLATED



VIBRATION ELIMINATOR CO. INC.
 15 Dixon Avenue
 Copiogue, NY 11726
 PH. (631) 841-4000 FAX (631) 841-0020

JOB : _____
 CONTRACTOR : _____
 P.O. NO. : _____

Dwg. No. _____