

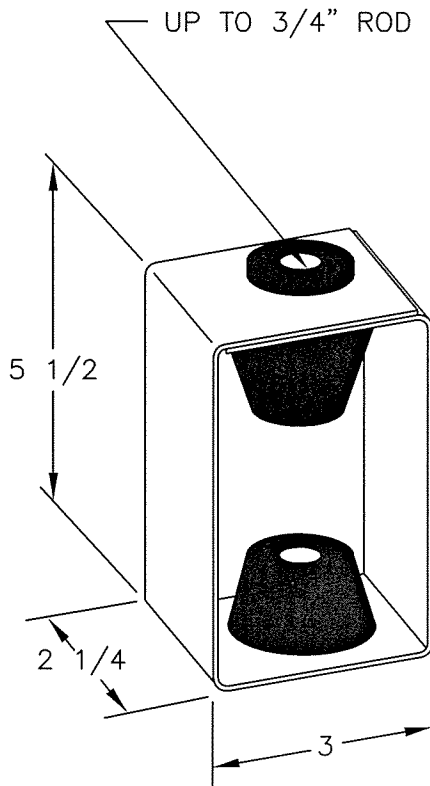


JOB: _____

CONTRACTOR: _____

P.O. NO. _____

TYPE "3CD" NEOPRENE HANGER



ISOLATOR TYPE	COLOR CODE	RATED LOAD	RATED DEFL.
3CD-1	WHITE	150#	0.50"
3CD-2	GREEN	300#	0.50"
3CD-3	BLUE	460#	0.50"
3CD-4	ORANGE	700#	0.50"

Note:

1. All hangers are designed to allow as much as a 30° angular rod misalignment.
2. Entire metal hanger box zinc-electroplated.

VIBRATION ELIMINATOR CO. INC.

15 Dixon Avenue
Copiague, NY 11726

TEL. (631) 841-4000 FAX (631) 841-0020

Rev.

Rev.

Date:

Dwg. No.: