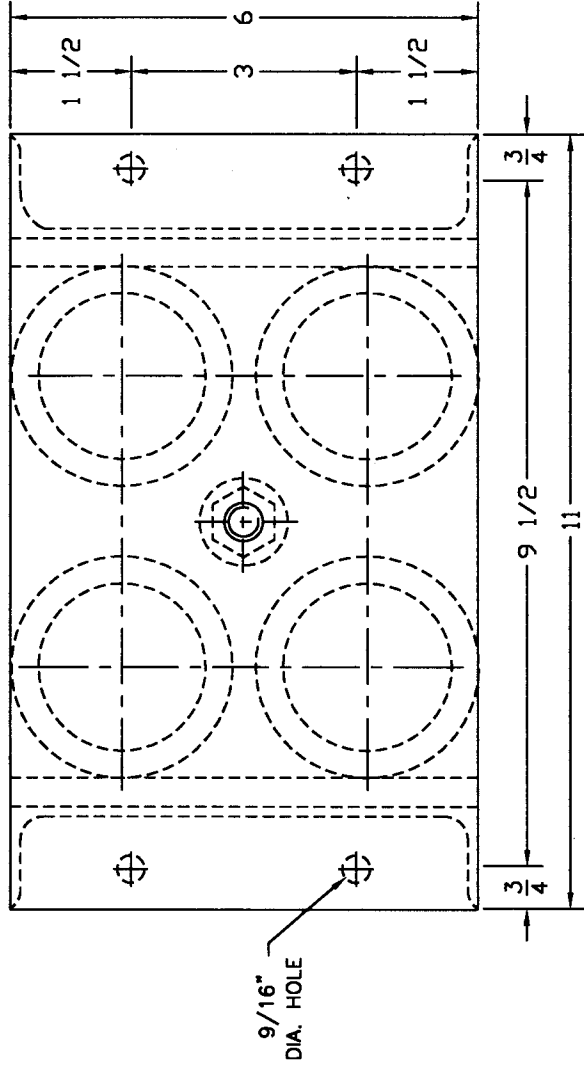
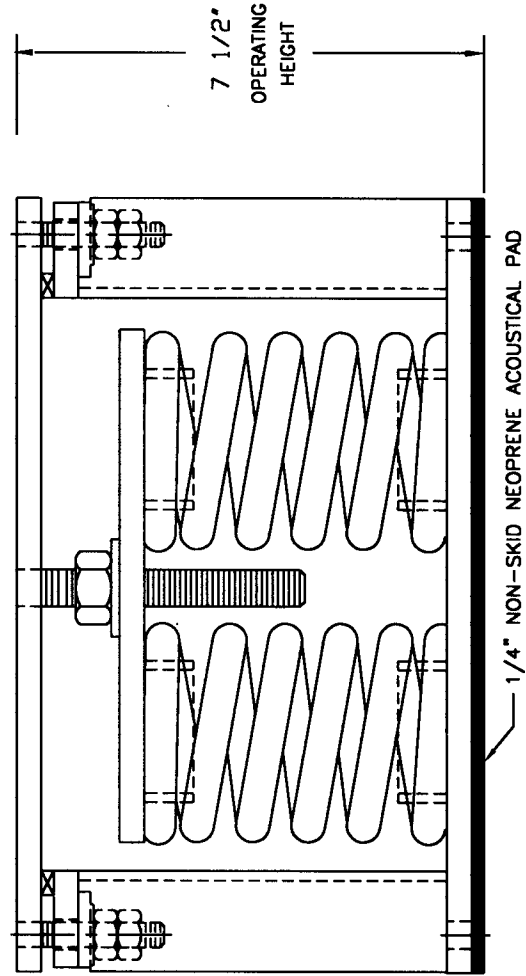


# TYPE "4KW3" VERTICALLY RESTRAINED SPRING ISOLATOR



| ISOLATOR TYPE                         | COLOR CODE | RATED LOAD | RATED DEFL. |
|---------------------------------------|------------|------------|-------------|
| 4KW3<br>{<br>F38<br>F39<br>F40<br>F41 | Red/Silver | 5100 #     | 1.00"       |
|                                       | Red/Yellow | 6520 #     | 1.00"       |
|                                       | Red/White  | 8400 #     | 1.00"       |
|                                       | Red/Green  | 12000 #    | 1.00"       |

ALL HARDWARE ZINC-ELECTROPLATED



JOB : \_\_\_\_\_  
 CONTRACTOR : \_\_\_\_\_  
 P.O. NO. : \_\_\_\_\_



VIBRATION ELIMINATOR CO. INC.  
 15 Dixon Avenue  
 Copiague, NY 11726  
 TEL. (631) 841-4000 FAX (631) 841-0020

Dwg. No. \_\_\_\_\_

CE2000/2K4V3S4.DWG