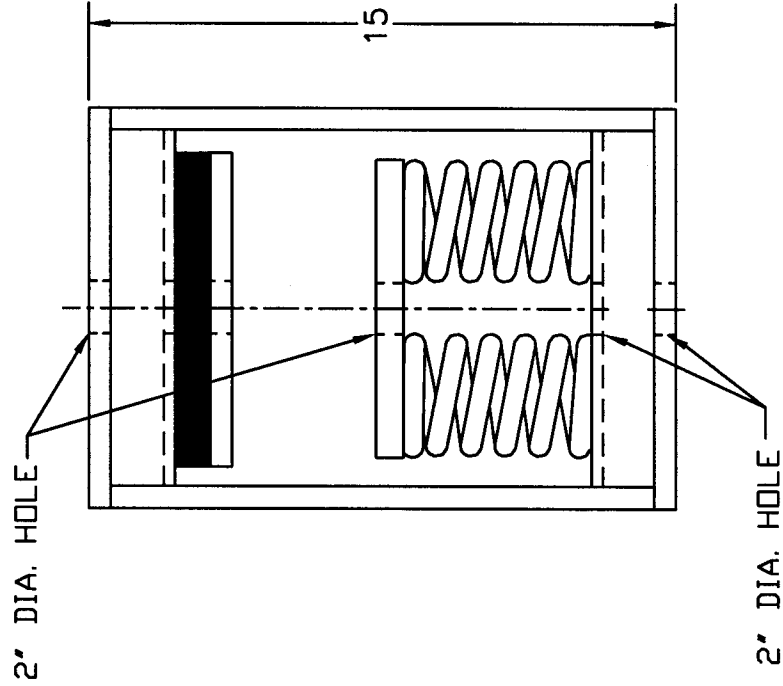
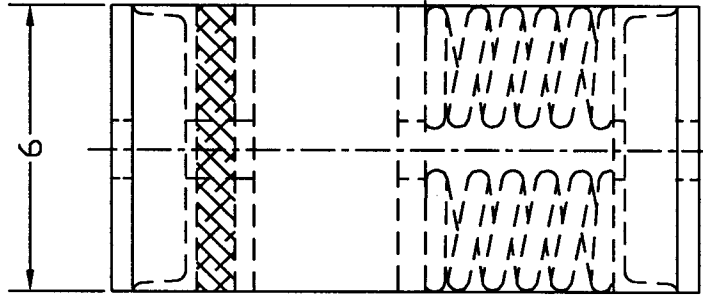
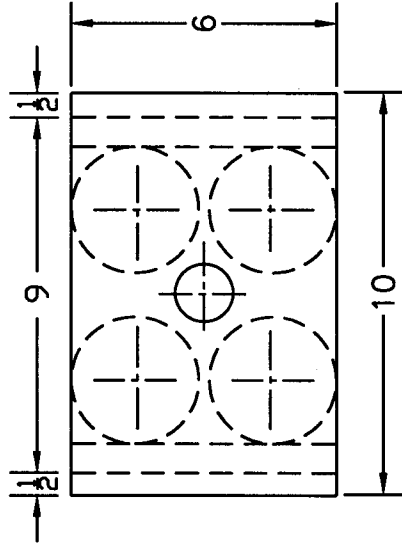


TYPE "4SNRC4" SPRING HANGER

ISOLATOR TYPE	COLOR	RATED LOAD	RATED DEFL.
4SNRC4 { F40 { F41	RED/WHITE RED/GREEN	8400 # 12000 #	1.25" 1.25"



JOB : _____
 CONTRACTOR : _____
 P.O. NO. : _____



VIBRATION ELIMINATOR CO. INC.
 15 Dixon Avenue
 Copiague, NY 11726
 TEL. (631) 841-4000 FAX (631) 841-0020

Dwg. No. _____