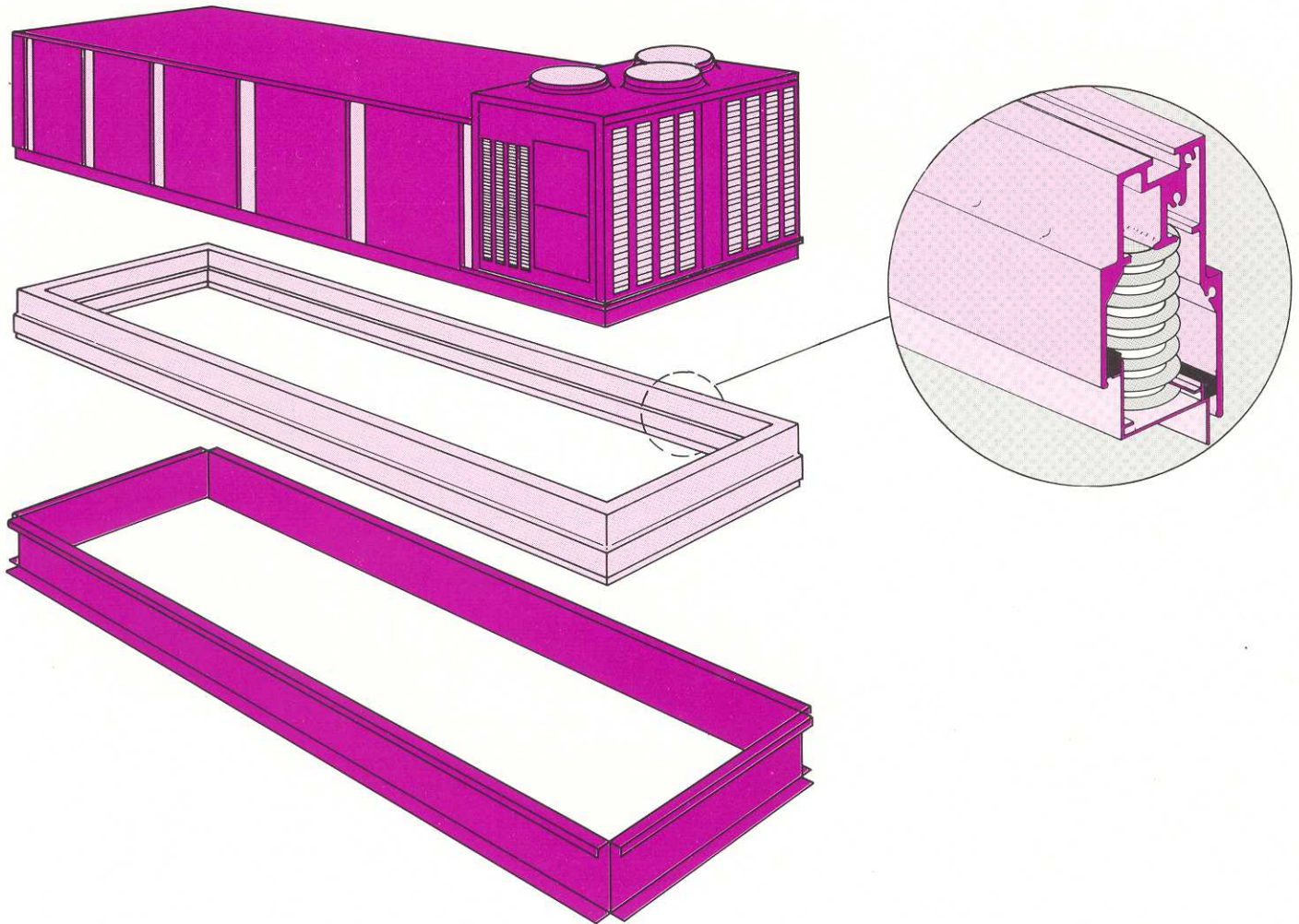


Vibration Eliminator Co., Inc.

MODEL "AR" ROOF CURB ISOLATION BASE

"AR" Aluminum Spring Bases are an excellent choice to isolate noise and vibration transmitted from curb mounted rooftop equipment into occupied spaces.



Each base is custom designed to fit between standard roof curb and equipment, providing continuous support and an air and watertight seal.

The "AR" base combines extruded aluminum construction with 1 inch deflection zinc plated springs, totally enclosed to provide weathertight and corrosive protection. Springs are free standing, laterally stable and computer selected to insure uniform loading and deflection for the entire system.

To simplify installation, "AR" bases are manufactured and shipped in four separate rail sections. Once at the jobsite they are designed to fit together on the conventional roof curb forming a complete frame.