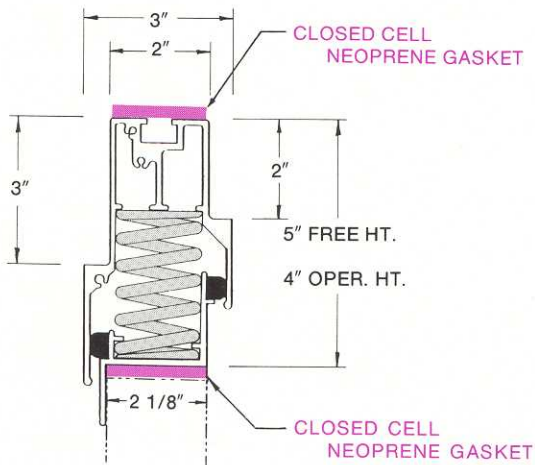
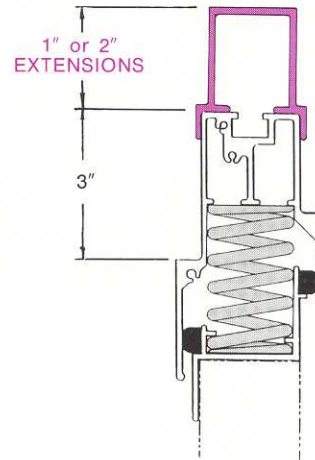


OPTIONAL FEATURES



(FIG. 1)

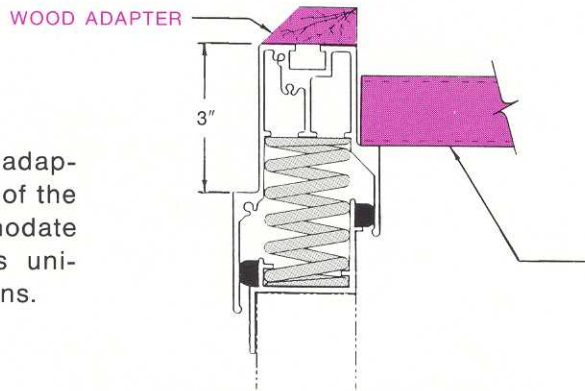


(FIG. 2)

The standard "AR" Base can be furnished with a continuous closed cell neoprene gasket on either the top, bottom or both surfaces.

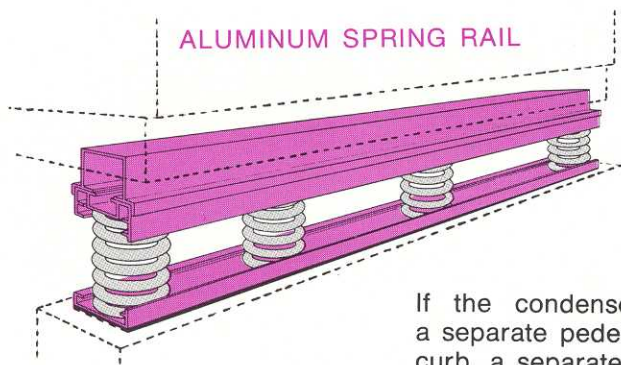
One or Two inch extruded aluminum extensions are furnished when the equipment's base rail exceeds three inches.

Customized treated wood adapters are furnished as part of the "AR" Base to accommodate equipment manufacturer's unique base rail configurations.



(FIG. 3)

ISOLATION FOR CONDENSER PEDESTAL



(FIG. 4)



(FIG. 5)

If the condenser section is supported by a separate pedestal beyond the standard roof curb, a separate aluminum spring rail (Fig. 4) or two "OSKLAR3" spring isolators (Fig. 5) are provided to support this overhung section.