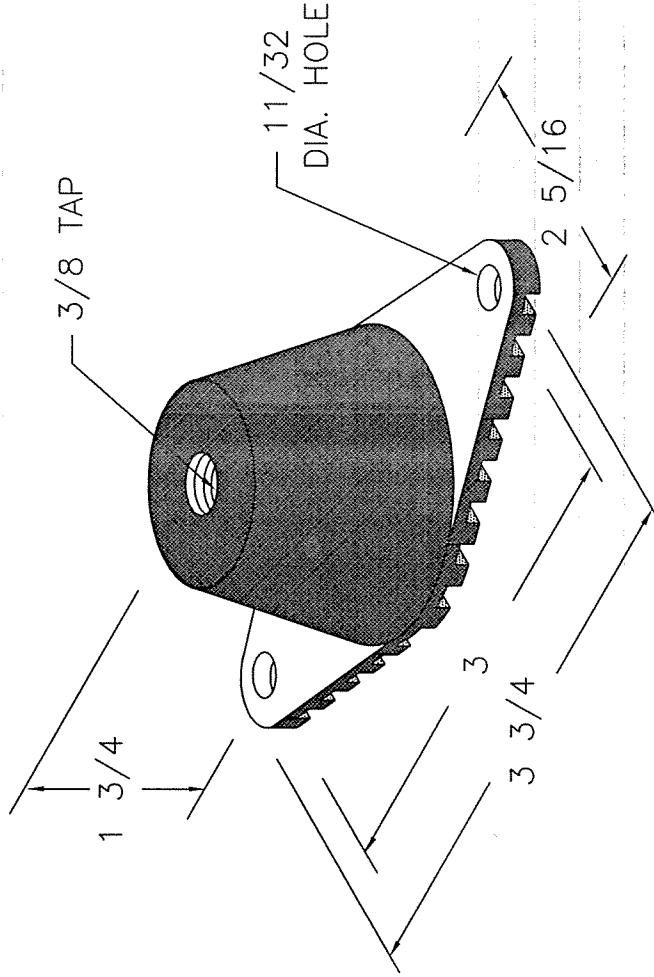
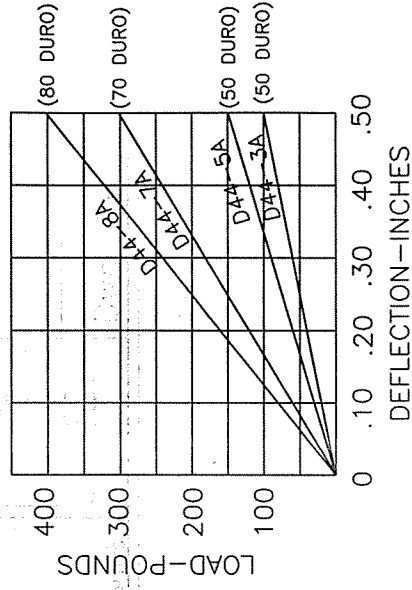


# TYPE "D44" NEOPRENE ISOLATOR

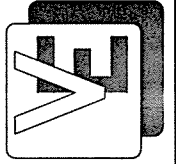


MODEL NUMBER	COLOR CODE	RATED LOAD	RATED DEFL.
D44	3A	100 #	.50"
	5A	150 #	
	7A	300 #	
	8A	400 #	

DEFLECTION GRAPH FOR TYPE "D44"



COMPONENTS MANUFACTURED IN USA



VIBRATION ELIMINATOR CO. INC.  
 15 Dixon Avenue  
 Copiague, NY 11726  
 TEL. (631) 841-4000 FAX (631) 841-0020

JOB : \_\_\_\_\_  
 CONTRACTOR : \_\_\_\_\_  
 P.O. NO. : \_\_\_\_\_



D44-CH.DWG.

Dwg. No.