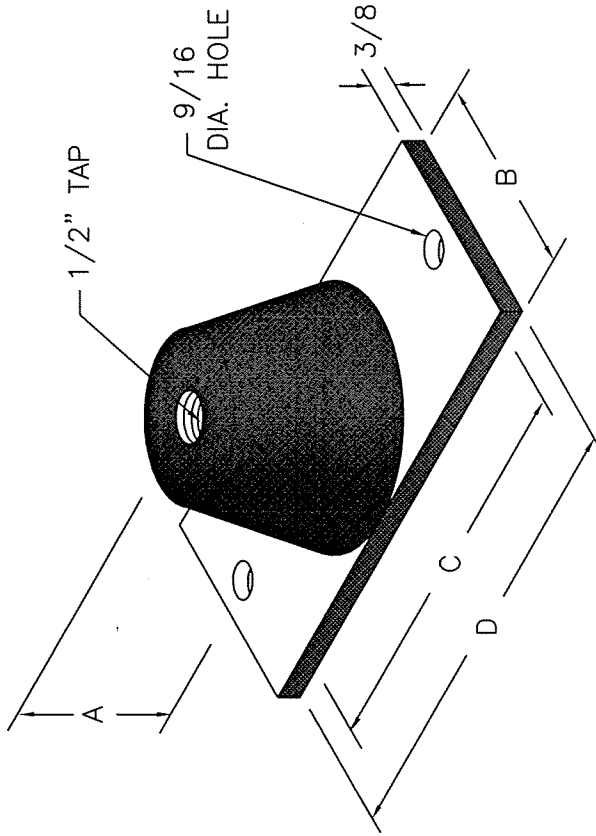


# NEOPRENE ISOLATORS FOR FLOOR MOUNTING

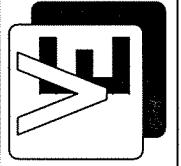


MODEL NUMBER	COLOR CODE	RATED LOAD	RATED DEFL.	A	B	C	D	TAP SIZE
D55	BLUE	750 #	.50"	3 1/2"	3 5/8"	4 3/4"	5 7/8"	1/2"
	RED	1000 #						
	GREEN	1500 #						
	BLACK	2200 #						

**FEATURES:**

- \* Anti-skid top and bottom surfaces.
- \* Mounting holes furnished as standard.
- \* Embedded steel plates for uniform loading.
- \* Oil and water resistant.
- \* High deflection, low natural frequency
- \* Elements color-coded for easy field verification. (Color coding can be by 'dot' or 'complete element'.)

It is not necessary to bolt the mountings to a concrete pad in most cases. Mountings should always be bolted to the chiller rails. When mountings and the chiller are installed on steel framing above the ground, the mountings should be bolted to the steel framework. Lower the chiller on to the mountings evenly to avoid placing excessive weight on individual isolators.



VIBRATION ELIMINATOR CO., INC.  
 15 Dixon Avenue  
 Copiague, New York 11726  
 Tel. (631) 841-4000 Fax (631) 841-0020

JOB : \_\_\_\_\_  
 CONTRACTOR : \_\_\_\_\_  
 P.O. NO. : \_\_\_\_\_

Dwg. No. \_\_\_\_\_