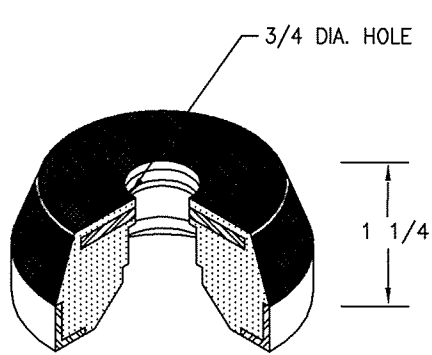
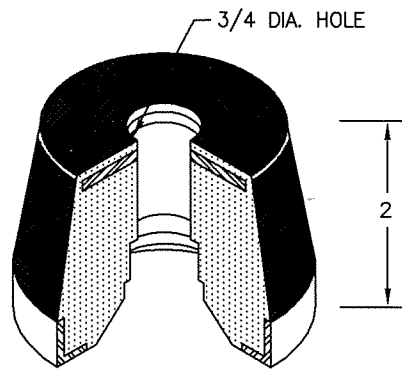


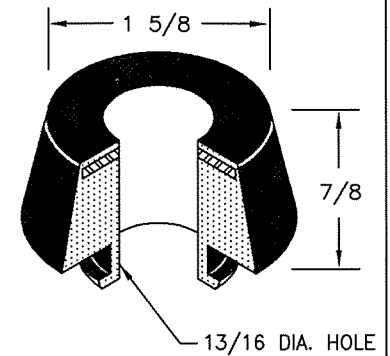
# NEOPRENE GROMMETS AND CUSHION CONNECTORS



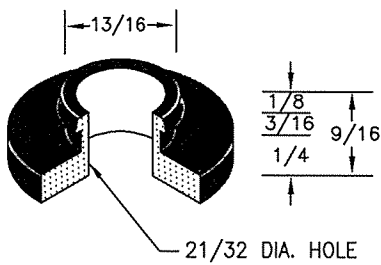
9T (Fig. 12)



9TD (Fig. 13)

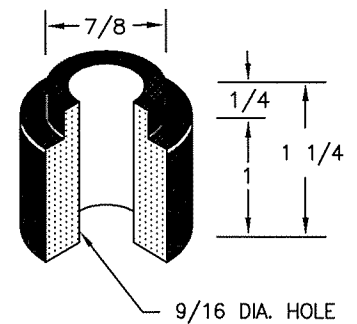


7T (Fig. 14)

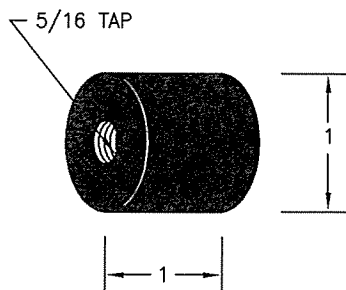


HDC (Fig. 15)

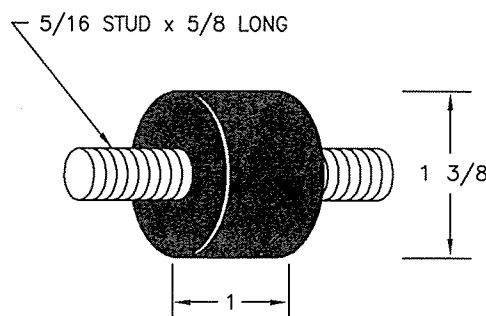
Fig. No.	MODEL NUMBER	MAX. SHEAR LOAD	MAX. COMPR. LOAD	RATED DEFL.
12	9T { 1 2 3 4	-	150 #	.25"
		-	350 #	
		-	550 #	
		-	900 #	
13	9TD { 1 2 3 4	-	150 #	.5"
		-	350 #	
		-	550 #	
		-	900 #	
14	7T { BLACK GREEN	-	250 #	.25"
		-	450 #	
15	HDC	-	-	-
16	DVD3	-	100 #	.20"
17	40A	13 #	48 #	.15"
18	36	25 #	90 #	.15"
19	40B	13 #	48 #	.15"



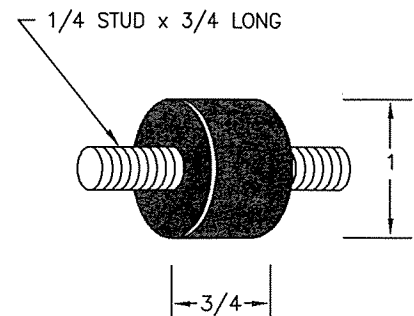
DVD3 (Fig. 16)



40A (Fig. 17)



36 (Fig. 18)



40B (Fig. 19)