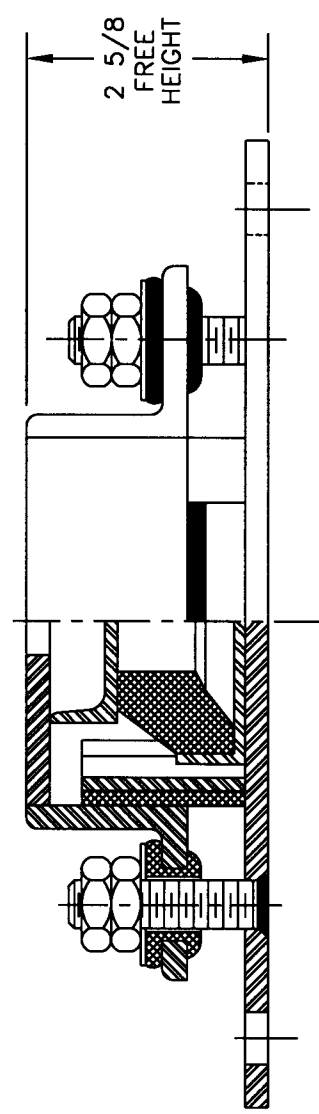
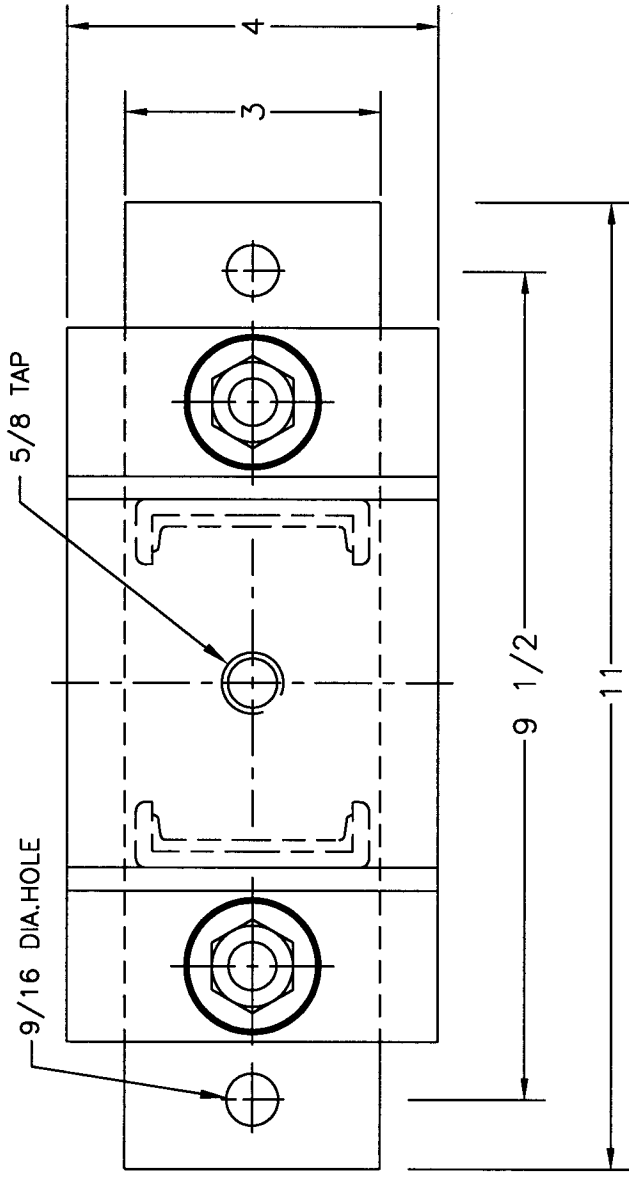


CAPTIVE NEOPRENE ISOLATOR TYPE "MOD"

Model Number	Color Code	Rated Load	Rated Defl.
MOD1 {	1	150	.25"
	2	350	
	3	550	
	4	900	



MOD1.DWG.



VIBRATION ELIMINATOR CO. INC.
 15 Dixon Avenue
 Copiague, NY 11726
 PH. (516)841-4000 FAX (516)841-0020

Dwg. No. _____

JOB : _____
 CONTRACTOR : _____
 P.O. NO. : _____