

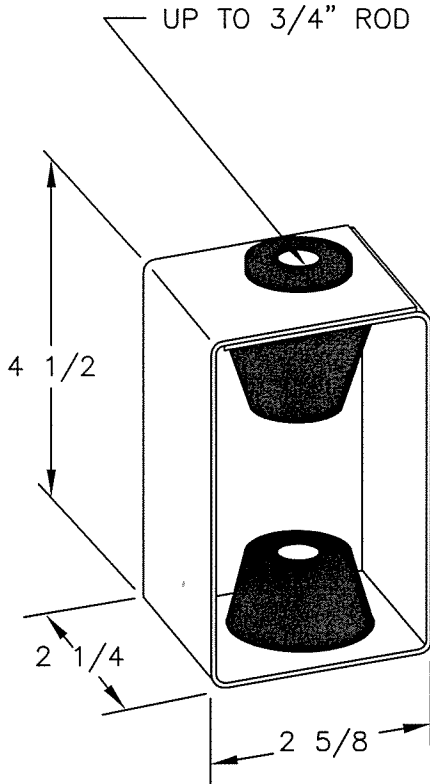


JOB: \_\_\_\_\_

CONTRACTOR: \_\_\_\_\_

P.O. NO. \_\_\_\_\_

### TYPE "2CD" NEOPRENE HANGER



| ISOLATOR TYPE | RATED LOAD | RATED DEFL. |
|---------------|------------|-------------|
| 2CD           | 100#       | 0.25"       |

Note:

1. All hangers are designed to allow as much as a 30° angular rod misalignment.
2. Entire metal hanger box zinc-electroplated.

VIBRATION ELIMINATOR CO. INC.

15 Dixon Avenue  
Copiague, NY 11726

TEL. (631) 841-4000 FAX (631) 841-0020

Rev.

Rev.

Date:

Dwg. No.: