



Installation Instructions for 'SN' Inertia Frames

V. E. Dwg. No.
N01051

TO BE BOLTED AND WELDED AT JOBSITE
PRIOR TO POURING CONCRETE

Fig. A

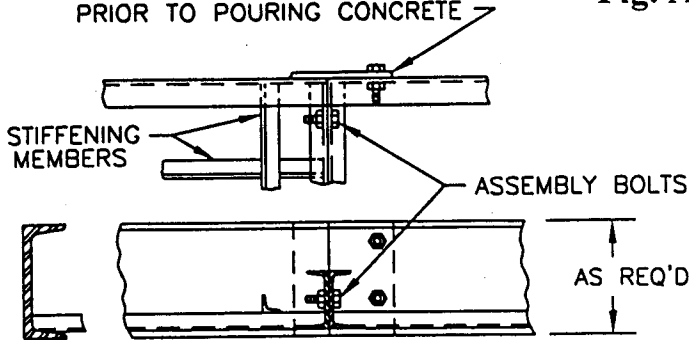
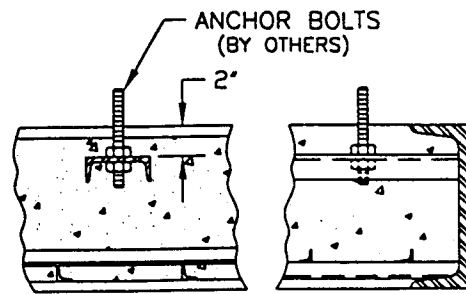


Fig. B



DETAILS OF TYPICAL TEMPLATE

Fig. C

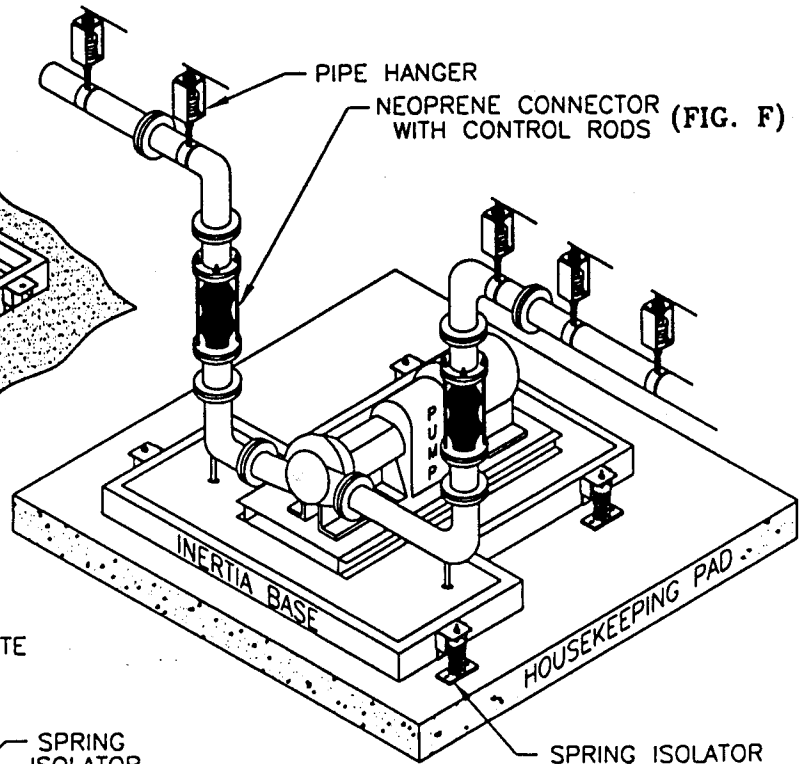
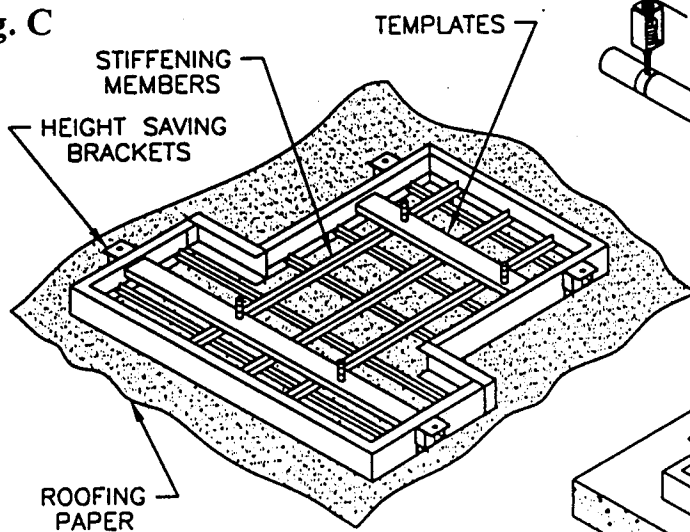


Fig. E

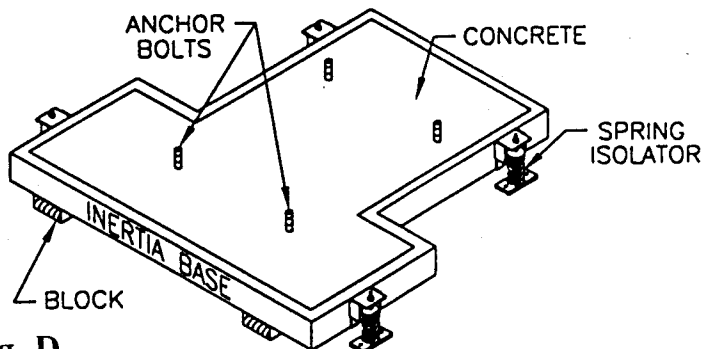


Fig. D

- 1.) Prior to pouring concrete, cover floor area with plastic sheathing or roofing paper. Overlap a minimum of three inches to prevent seepage. (Figure C)
- 2.) Set frame on top of paper. If shipped in more than one section, assemble and weld sections together as shown in Figure A.
- 3.) Insert and lock anchor bolts in templates as shown Figure B.
- 4.) Pour concrete into frame until level with top. (Figure D)
- 5.) After concrete has set, elevate frame as specified on base drawing and insert blocks to hold in this position. (Figure D) (Do not use height saving brackets as rigging or jacking lugs.)
- 6.) Proceed to install equipment.
- 7.) After equipment is installed, locate isolators under brackets (Figure E) and proceed to level springs in accordance with installation instructions.
- 8.) After the base is level and load is transferred to springs, install pipe hangers and flexible connectors.
- 9.) Adjust pipe hangers to insure they are supporting pipe. Install control rods on neoprene connectors to prevent elongation. (Figure F)
- 10.) Remove blocks.
- 11.) Equipment is now ready to be operated.

Vibration Eliminator Co., Inc. • 15 Dixon Avenue • Copiague, New York 11726
Tel. 631.841.4000 Fax. 631.841.0020