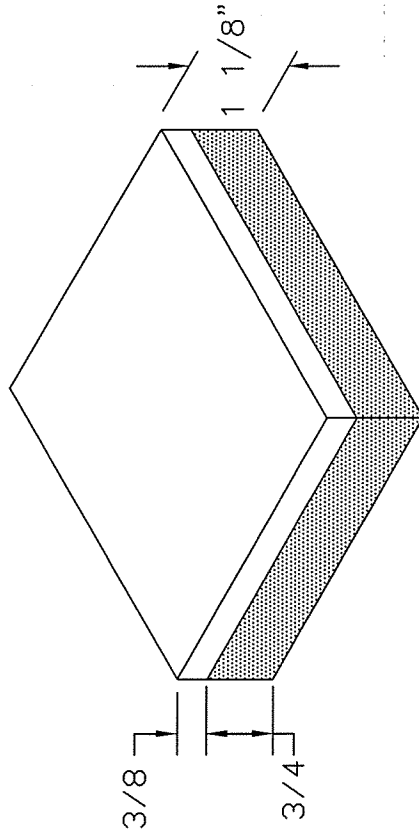


TYPE "70NP-NEOSORB" HEAVY DUTY NEOPRENE PAD

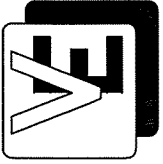
MODEL NUMBER	PAD SIZE	LOAD CAPACITY
70NP-NEOSORB	2" x 2" x 1 1/8"	400 #
	3" x 3" x 1 1/8"	900 #
	4" x 4" x 1 1/8"	1,600 #
	5" x 5" x 1 1/8"	2,500 #
	6" x 6" x 1 1/8"	3,600 #
	8" x 8" x 1 1/8"	6,400 #



"70NP" isolators consist of the highest quality neoprene molded to specifications establishing shape factors which control the lead deflection characteristics for the mounts.

"70NP" mounts may be any desired dimensions and/or load capacity. Selection and distribution of the inserts should be made in cooperation with our engineering department to assure best results for each application. Some typical applications of "70N" mounts include the support of punch presses to 3000 ton capacity, centrifugal refrigeration compressors, building columns, diesel engine generators, pipe risers, injection molders and numerous others. Each case is given individual attention and recommendations are accompanied by drawings illustrating correct applications.

PAD70NP-2.DWG.



VIBRATION ELIMINATOR CO. INC.
 15 Dixon Avenue
 Copiague, NY 11726
 TEL. (631)841-4000 FAX (631)841-0020

JOB : _____
 CONTRACTOR : _____
 P.O. NO. : _____

Dwg. No. _____

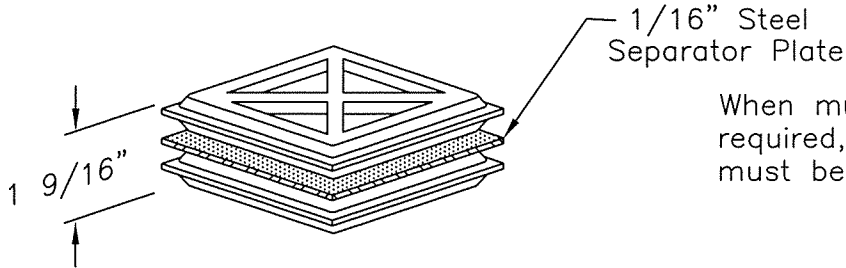


Vibration Eliminator

Co., Inc.

TYPE "400N" (BIG BLUE) ISOLATION PAD

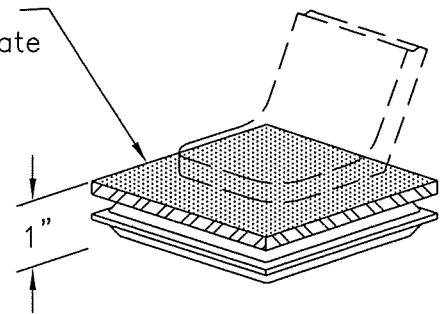
"400N" is a $\frac{3}{4}$ " thick pad, designed to support a recommended load of 50 pounds per square inch. This load deflects the isolation pad 0.11 inches and is equivalent to 15% of the pad's weight.



When multiple layers of pads are required, a steel separator plate must be used.

When the pad size required is larger than the equipment support, a $\frac{1}{4}$ " steel distribution plate must be bonded to the "400N" pad. For the addition of this plate add the letter "P".
Example: "400NP" and the size of the pad required - (6" x 6").

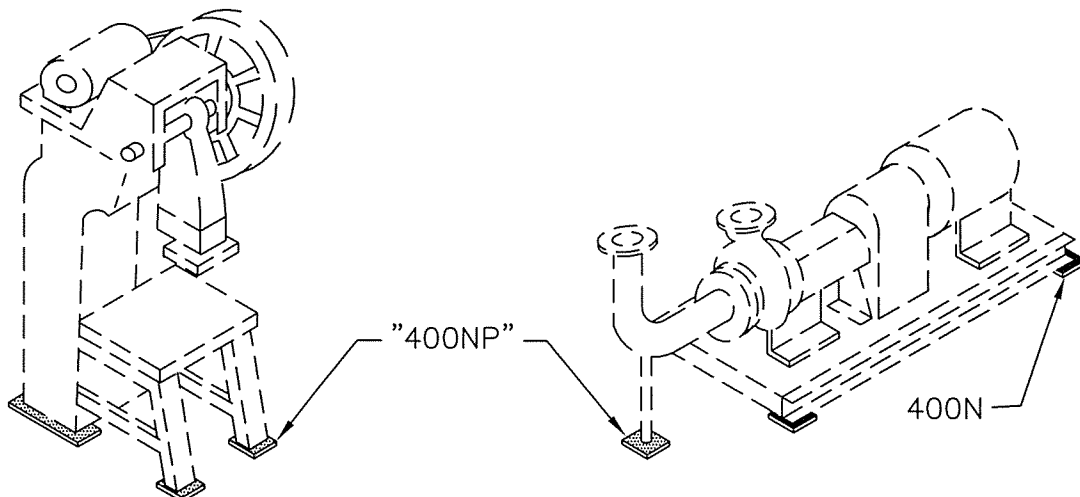
$\frac{1}{4}$ " Steel
Distribution Plate



TYPICAL APPLICATIONS

The "400N" pad is widely applied to the following systems:

- Air Handlers
- Chillers
- Compressors
- Cooling Towers
- Diesel Generators
- Fans
- Pumps
- Punch Presses
- Transformers



VIBRATION ELIMINATOR CO., INC. ■ 15 Dixon Avenue ■ Copiague, New York 11726
Tel. (631) 841-4000 Fax (631) 841-0020

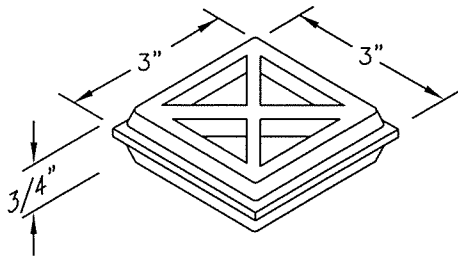


JOB: _____

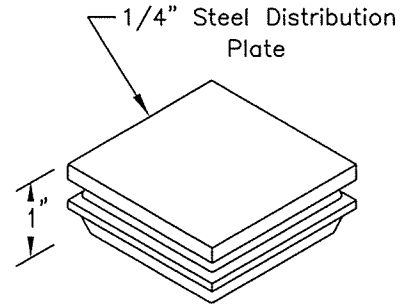
CONTRACTOR: _____

P.O. NO. _____

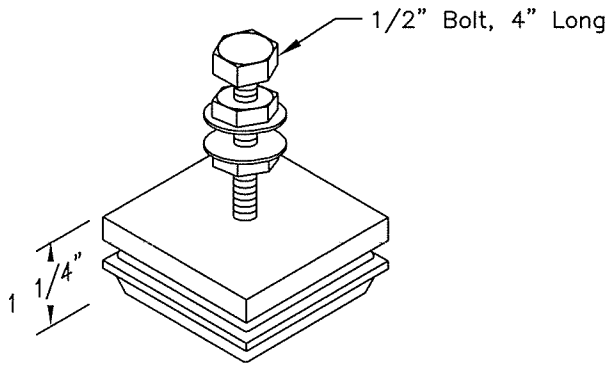
"400N" NEOPRENE PADS FOR FLOOR MOUNTING



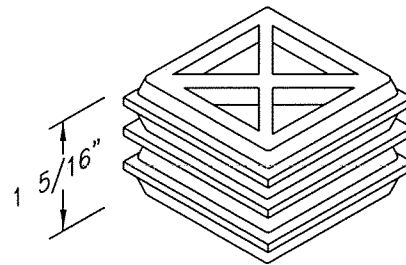
400N



400NP



400NL



MULTIPLE LAYERS 400N

400N pads are a 3/4" thick pad designed to support a recommended load of 50#/sq. inch providing a deflection of .11" or 15% of the pad height.

400N-PADS.DWG.

VIBRATION ELIMINATOR CO. INC.
15 Dixon Avenue
Copiague, NY 11726
TEL. (631) 841-4000 FAX (631) 841-0020

Rev.		
Rev.		
Date:		Dwg. No.: