

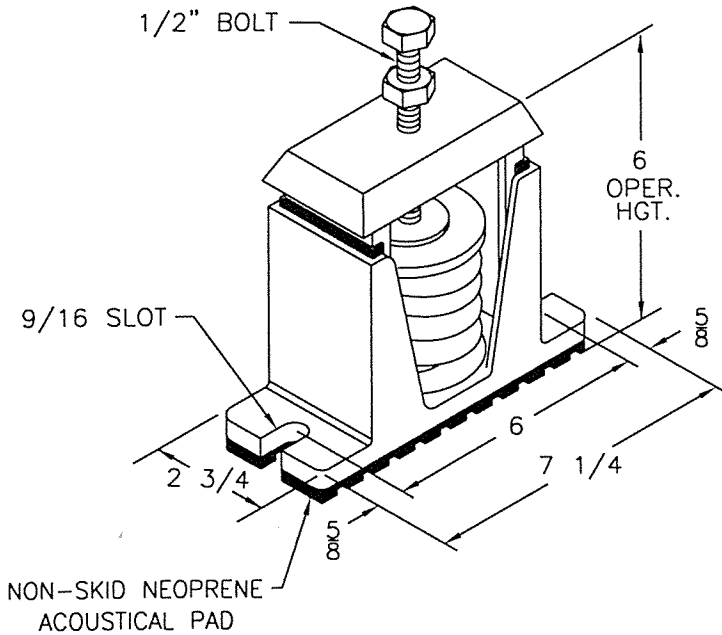


JOB: _____

CONTRACTOR: _____

P.O. NO. _____

TYPE "OCT1" HOUSED SPRING ISOLATOR



ISOLATOR TYPE	COLOR CODE	RATED LOAD	RATED DEFL.
OCT1	1 Silver	100 #	1.00"
	2 Yellow	200 #	1.00"
	3 Red	295 #	.80"
	4 White	380 #	.80"
	5 Green	530 #	.80"
	6 Blue	750 #	.75"
	7 Orange	1125 #	.75"
	8 Gold	1500 #	.75"
OCT1	F30 Silver	155 #	1.85"
	F31 Yellow	220 #	1.70"
	F32 Red	310 #	1.55"
	F33 White	420 #	1.40"
	F34 Green	540 #	1.25"
	F35 Blue	710 #	1.15"
	F36 Orange	900 #	1.05"
	F37 Gold	1030 #	1.00"
	F38 Red/Silver	1275 #	1.00"
	F39 Red/Yellow	1630 #	1.00"
	F40 Red/White	2100 #	1.00"
	F41 Red/Green	3000 #	1.00"
OCT1	F60 Silver	60 #	3.00"
	F61 Yellow	109 #	2.72"
	F62 Red	155 #	2.58"
	F63 Green	210 #	2.32"
	F64 Blue	275 #	2.20"
	F65 Orange	365 #	2.08"
	F66 Gold	500 #	2.00"
	F67 White	715 #	2.00"
	F68 Red/Silver	945 #	2.00"
	F69 Red/Yellow	1190 #	2.00"

Note: All hardware zinc-electroplated.

VIBRATION ELIMINATOR CO. INC.

15 Dixon Avenue

Copioque, NY 11726

PH. (631) 841-4000 FAX (631) 841-0020

Rev.

Rev.

Date:

Dwg. No.: