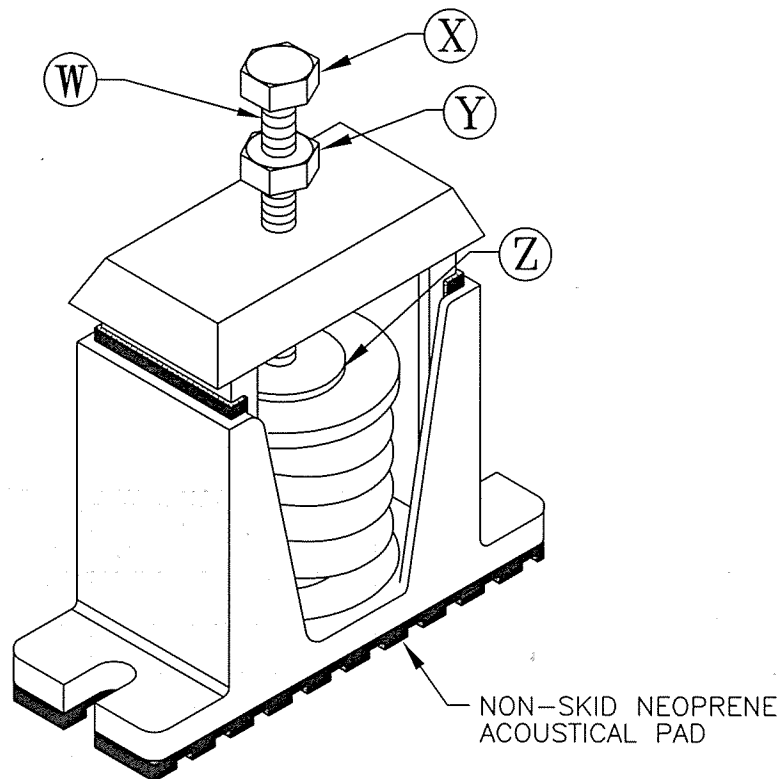




INSTALLATION INSTRUCTIONS FOR "OCT" ISOLATOR

V.E. DWG. NO.

MY93261



1. Elevate base or equipment to operating height and insert blocks to hold in this position.
2. Place isolators on level surface and align with mounting holes under base, brackets, or equipment leg.
3. Insert leveling bolt "W" down through mounting hole into threaded hole of isolator top housings, until bolt makes contact with spring pressure plate "Z".
4. Proceed to adjust "OCT" isolators by turning leveling bolt "W" clockwise several turns at a time alternately on each isolator.
5. Continue turning leveling bolt "W" in this manner until spring deflects and load is transferred onto isolators. At this time isolator top housing will rise and equipment will begin to float freely off the blocks.
6. Insure that equipment is level, then remove blocks. Turn lock nut "Y" (supplied by other) clockwise and secure firmly against the top of base, brackets or equipment leg.
7. Isolators are now properly adjusted and ready for the equipment to be operated.

OCT-INS1.DWG