



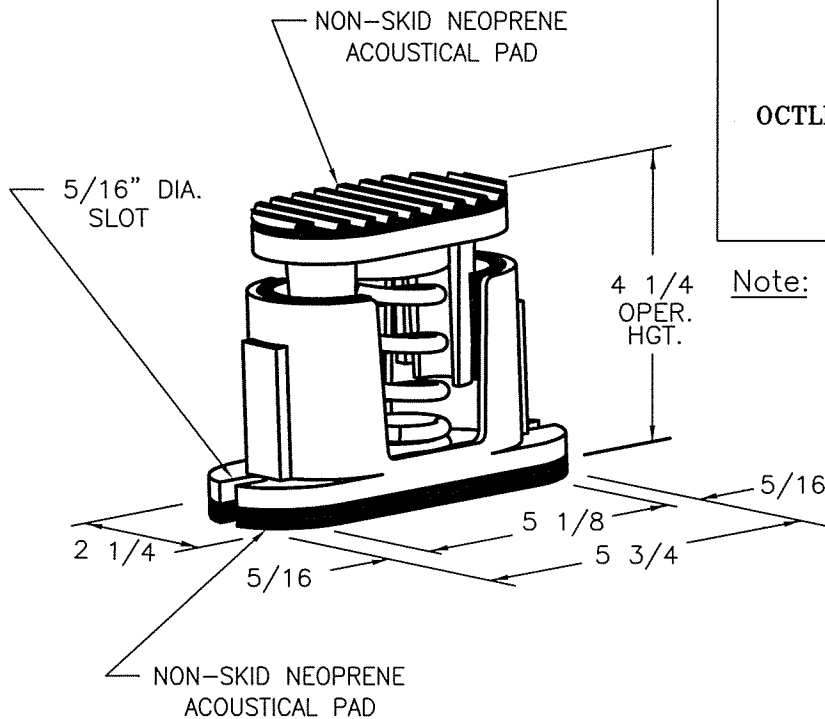
JOB: \_\_\_\_\_

CONTRACTOR: \_\_\_\_\_

P.O. NO. \_\_\_\_\_

# TYPE "OCTLP" HOUSED SPRING ISOLATOR

ISOLATOR TYPE	COLOR CODE	RATED LOAD	RATED DEFL.	
OCTLP	F21	Yellow	40 #	1.0"
	F20A	Silver	70 #	1.0"
	F22	Red	100 #	1.0"
	F23	White	150 #	1.0"
	F24	Green	210 #	1.0"
	F25	Blue	300 #	1.0"
	F26	Orange	400 #	1.0"
	F27	Brown	500 #	1.0"



Note: All hardware zinc-electroplated.

ISOLATOR WT. = 4#

OCTLP.DWG

VIBRATION ELIMINATOR CO. INC.

15 Dixon Avenue

Copiapue, NY 11726

TEL. (631) 841-4000 FAX (631) 841-0020

Rev.

Rev.

Date:

Dwg. No.: