

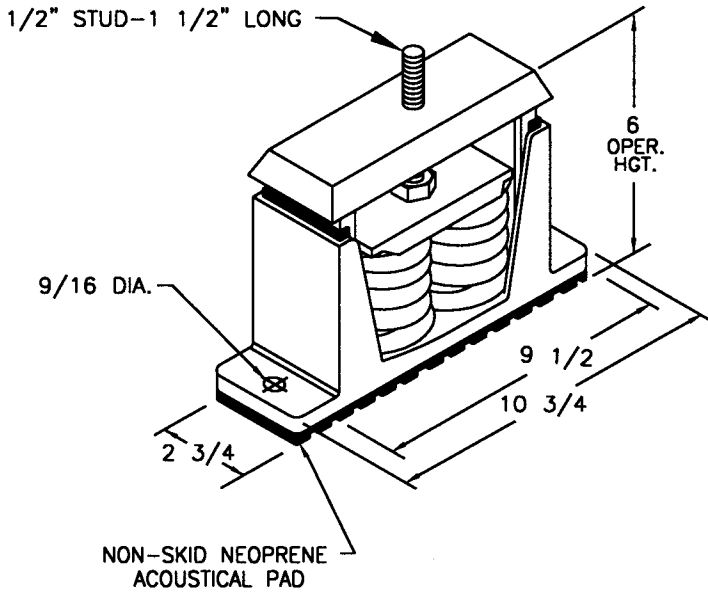


JOB: _____

CONTRACTOR: _____

P.O. NO. _____

TYPE "OCTLS2" HOUSED SPRING ISOLATOR



| ISOLATOR TYPE | COLOR CODE | RATED LOAD | RATED DEFL. | |
|---------------|------------|------------|-------------|-------|
| OCTLS2 | F37 | Gold | 2060 # | 1.00" |
| | F38 | Red/Silver | 2550 # | 1.00" |
| | F39 | Red/Yellow | 3260 # | 1.00" |
| | F40 | Red/White | 4200 # | 1.00" |
| | F41 | Red/Green | 6000 # | 1.00" |
| OCTLS2 | F66 | Gold | 1000 # | 2.00" |
| | F67 | White | 1430 # | 2.00" |
| | F68 | Red/Silver | 1890 # | 2.00" |
| | F69 | Red/Yellow | 2380 # | 2.00" |

Note: All hardware zinc-electroplated.

VIBRATION ELIMINATOR CO. INC.

15 Dixon Avenue

Copioque, NY 11726

TEL. (631)841-4000 FAX (631)841-0020

Rev.

Rev.

Date:

Dwg. No.: