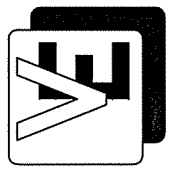
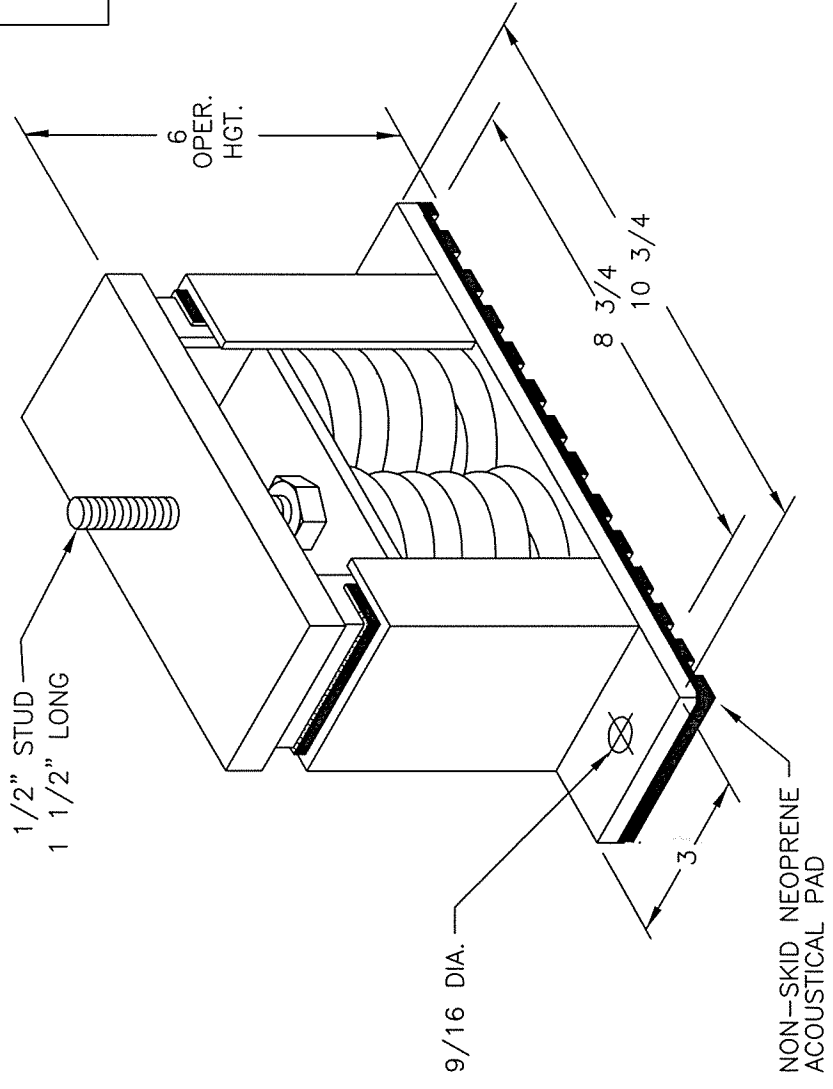


TYPE "OCTLS2" STEEL HOUSED SPRING ISOLATOR

ISOLATOR TYPE	COLOR CODE	RATED LOAD	RATED DEFL.
OCTLS2	F37	2060 #	1.00"
	F38	2550 #	1.00"
	F39	3260 #	1.00"
	F40	4200 #	1.00"
	F41	6000 #	1.00"
OCTLS2	F66	1000 #	2.00"
	F67	1430 #	2.00"
	F68	1890 #	2.00"
	F69	2380 #	2.00"

Note: All hardware zinc-electroplated.



VIBRATION ELIMINATOR CO. INC.
 15 Dixon Avenue
 Copiague, NY 11726
 PH. (516)841-4000 FAX (516)841-0020

JOB : _____
 CONTRACTOR : _____
 P.O. NO. : _____

Dwg. No. _____