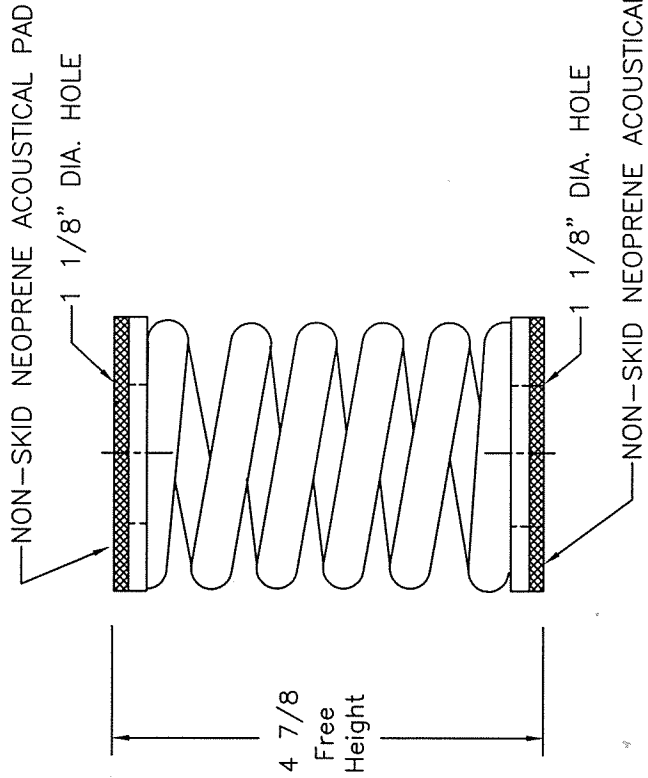
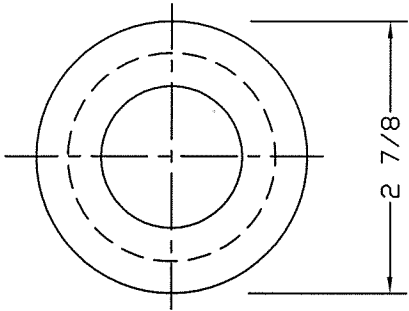
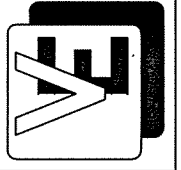


# TYPE "OSC3" SPRING ISOLATOR



ISOLATOR TYPE	COLOR CODE	RATED LOAD	RATED DEFL.
OSC3 	F30 Silver	155 #	1.85"
	F31 Yellow	220 #	1.70"
	F32 Red	310 #	1.55"
	F33 White	420 #	1.40"
	F34 Green	540 #	1.25"
	F35 Blue	710 #	1.15"
	F36 Orange	900 #	1.05"
	F37 Gold	1030 #	1.00"
	F38 Red/Silver	1275 #	1.00"
	F39 Red/Yellow	1630 #	1.00"
	F40 Red/White	2100 #	1.00"
	F41 Red/Green	3000 #	1.00"



VIBRATION ELIMINATOR CO. INC.  
 15 Dixon Avenue  
 Copiague, NY 11726  
 TEL. (631)841-4000 FAX (631)841-0020

JOB : \_\_\_\_\_

CONTRACTOR : \_\_\_\_\_

P.O. NO. : \_\_\_\_\_

Dwg. No. \_\_\_\_\_