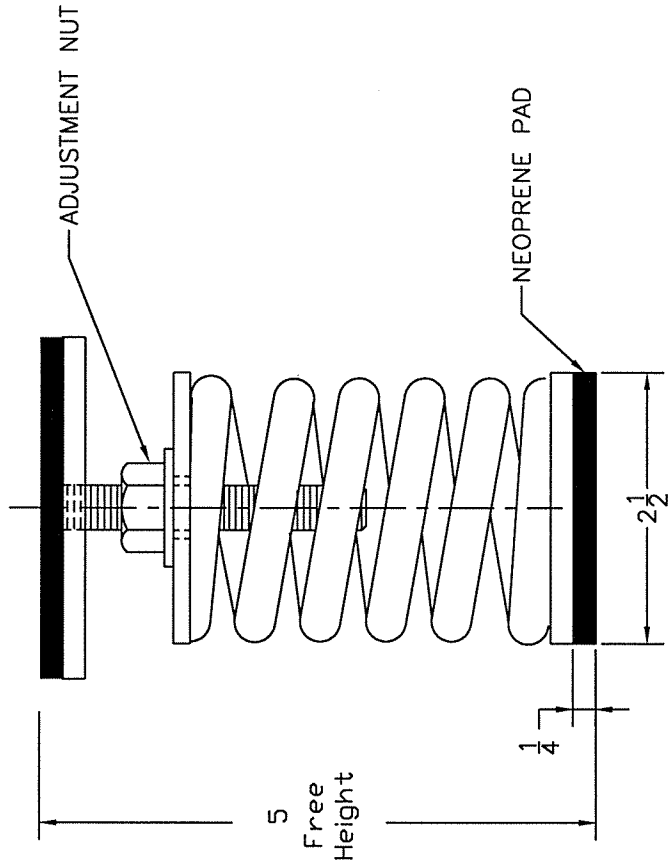
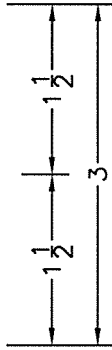
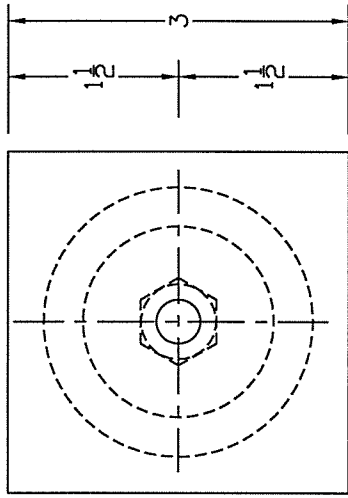


TYPE "OSKL1" SPRING ISOLATOR



ISOLATOR TYPE	COLOR CODE	RATED LOAD	RATED DEFL.
OSKL1	1 SILVER	100 #	1.00"
	2 YELLOW	200 #	1.00"
	3 RED	295 #	.80"
	4 WHITE	380 #	.80"
	5 GREEN	530 #	.80"
	6 BLUE	750 #	.75"
	7 ORANGE	1125 #	.75"
	8 GOLD	1500 #	.75"

ALL HARDWARE ZINC-ELECTROPLATED



VIBRATION ELIMINATOR CO. INC.
 15 Dixon Avenue
 Copiague, NY 11726
 TEL. (631) 841-4000 FAX (631) 841-0020

JOB : _____
 CONTRACTOR : _____
 P.O. NO. : _____

Dwg. No. _____