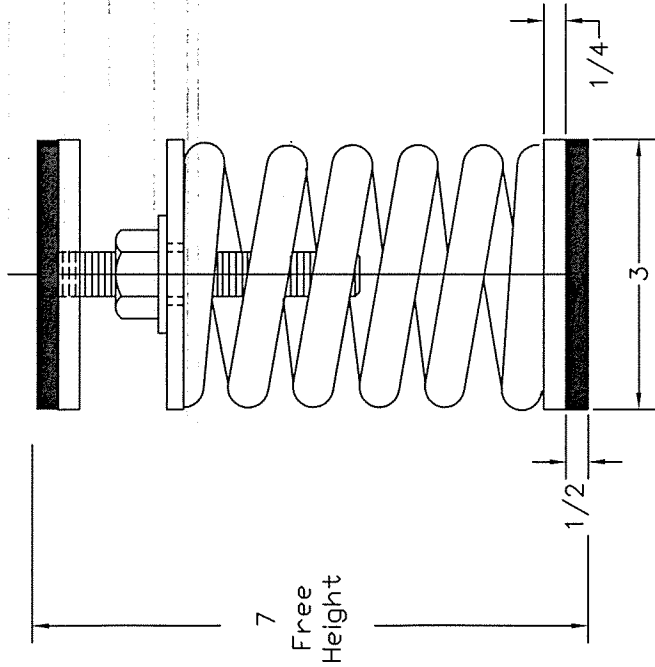
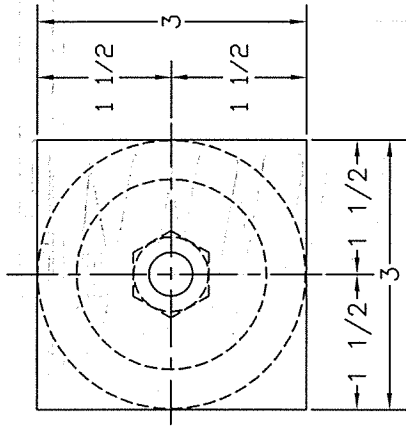
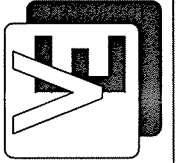


TYPE "OSKL3-SP" SPRING ISOLATOR



ISOLATOR TYPE	COLOR CODE	RATED LOAD	RATED DEFL.
OSKL3-SP	Silver	155#	1.85"
	Yellow	220	1.70"
	Red	310	1.55"
	White	420	1.40"
	Green	540	1.25"
	Blue	710	1.15"
	Orange	900	1.05"
	Gold	1030	1.00"
	Red/Silver	1275	1.00"
	Red/Yellow	1630	1.00"
	Red/White	2100	1.00"
	Red/Green	3000	1.00"

ALL HARDWARE ZINC-ELECTROPLATED



VIBRATION ELIMINATOR CO. INC.
 15 Dixon Avenue
 Copiague, NY 11726
 TEL. (631) 841-4000 FAX (631) 841-0020

JOB : _____
 CONTRACTOR : _____
 P.O. NO. : _____

Dwg. No. _____